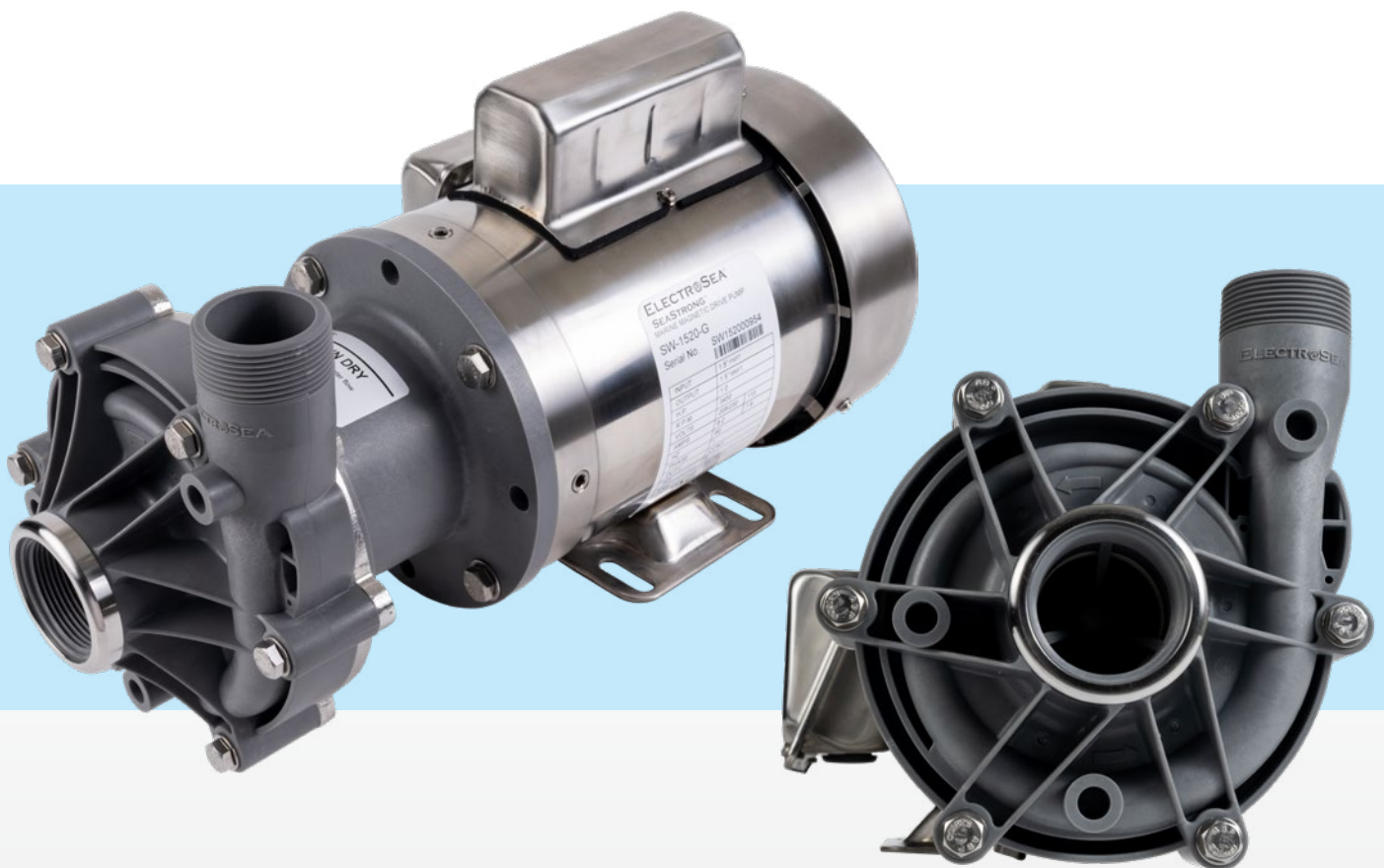


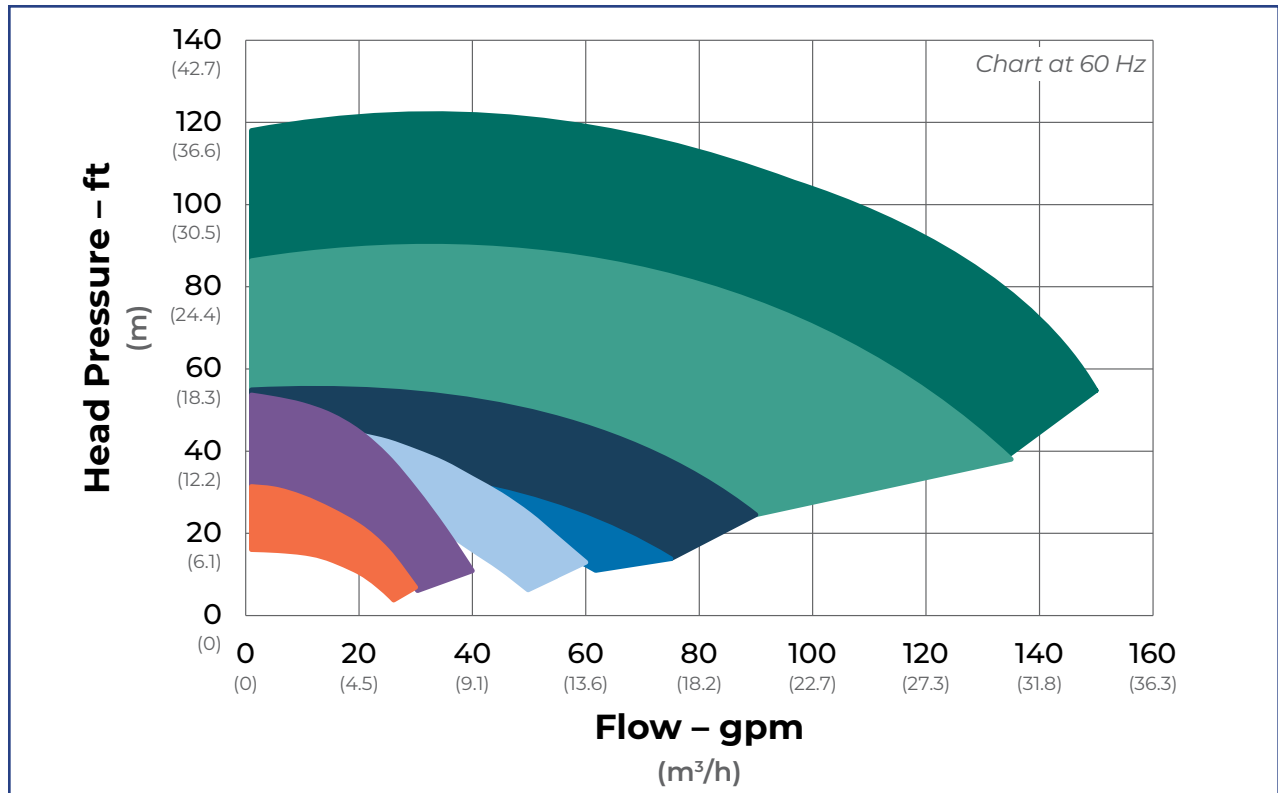
SEASTRONG® SILVER BULLET

ULTIMATE SEALLESS MARINE PUMP



PUMP SELECTION GUIDE

MODEL SERIES COVERAGE CHART



MODEL SERIES	MAX FLOW (gpm) @ 60 Hz	MAX HEAD (ft) @ 60 Hz	MAX FLOW (m ³ /h) @ 50 Hz	MAX HEAD (m) @ 50 Hz
SB-030	30	31	5.7	6.7
SB-045	40	54	6.8	11.4
SB-062	60	46	11.4	9.7
SB-075	75	35	13.6	7.8
SB-100	95	59	19.3	12.6
SB-137	135	90	28.4	20.4
SB-150	150	121	30.7	26.1

MODEL NUMBER KEY

SB-150M-2373D-575-5T

A B C DE F G

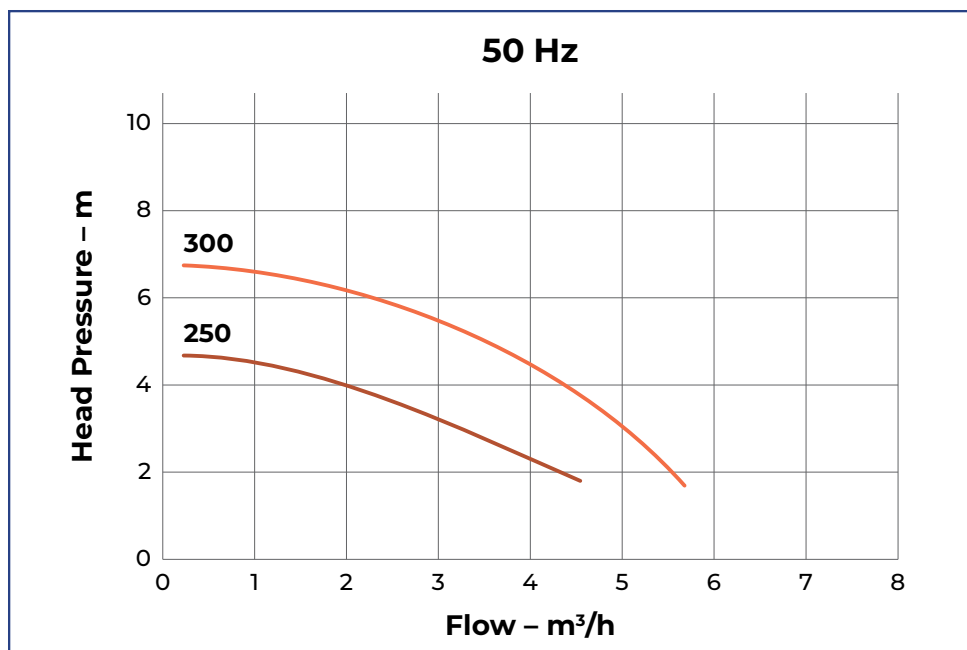
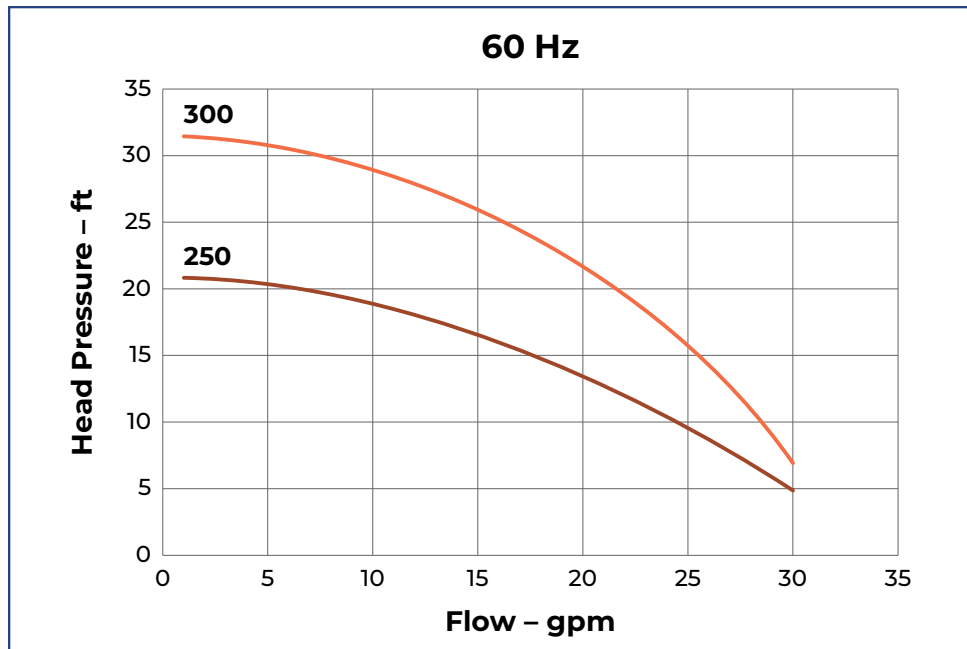
- A. Silver Bullet
- B. Family series
- C. Voltage (11 = 115 V; 23 = 230 V)
- D. Number of phases (1 or 3)
- E. Dual voltage (D for dual voltage; blank for single voltage)
- F. Impeller size
- G. Motor horsepower (½, 1, 1½, 2, 3, or 5)

25 MODELS TO FIT YOUR BOAT

	MODEL	INLET (FNPT)	OUTLET (MNPT)	MAX FLOW (gpm)	MAX HEAD (ft)	VOLTAGE	PH	HP	AMPS
SB-030 SERIES	SB-030M-1171-250-1/2T	1.0"	1.0"	28	21	115	1	0.5	7.6
	SB-030M-2371-250-1/2T	1.0"	1.0"	28	21	230	1	0.5	3.8
	SB-030M-1171-300-1/2T	1.0"	1.0"	30	31	115	1	0.5	7.6
	SB-030M-2371-300-1/2T	1.0"	1.0"	30	31	230	1	0.5	3.8
SB-045 SERIES	SB-045M-1171-340-1/2T	1.0"	1.0"	35	38	115	1	0.5	7.6
	SB-045M-2371-340-1/2T	1.0"	1.0"	35	38	230	1	0.5	3.8
	SB-045M-1171-362-1/2T	1.0"	1.0"	37	46	115	1	0.5	7.6
	SB-045M-2371-362-1/2T	1.0"	1.0"	37	46	230	1	0.5	3.8
	SB-045M-1171-390-1/2T	1.0"	1.0"	40	54	115	1	0.5	7.6
	SB-045M-2371-390-1/2T	1.0"	1.0"	40	54	230	1	0.5	3.8
SB-062 SERIES	SB-062M-1171-350-1/2T	1.5"	1.0"	55	37	115	1	0.5	7.6
	SB-062M-2371-350-1/2T	1.5"	1.0"	55	37	230	1	0.5	3.8
	SB-062M-1171-360-1/2T	1.5"	1.0"	60	46	115	1	0.5	7.6
	SB-062M-2371-360-1/2T	1.5"	1.0"	60	46	230	1	0.5	3.8
SB-075 SERIES	SB-075M-1171-338-1/2T	1.5"	1.5"	75	35	115	1	0.5	7.6
	SB-075M-2371-338-1/2T	1.5"	1.5"	75	35	230	1	0.5	3.8
SB-100 SERIES	SB-100M-1171D-350-1T	1.5"	1.5"	85	43	115/230	1	1	12.4/6.2
	SB-100M-1171D-375-1T	1.5"	1.5"	90	52	115/230	1	1	12.4/6.2
	SB-100M-1171D-400-1T	1.5"	1.5"	95	59	115/230	1	1	12.4/6.2
SB-137 SERIES	SB-137M-1171D-410-1 1/2T	2.0"	1.5"	95	57	115/230	1	1.5	16.4/8.5
	SB-137M-1171D-438-1 1/2T	2.0"	1.5"	105	65	115/230	1	1.5	16.4/8.5
	SB-137M-1171D-463-2T	2.0"	1.5"	115	74	115/230	1	2	19.0/9.5
	SB-137M-2373D-488-3T	2.0"	1.5"	135	90	230/460	3	3	7.2/3.6
SB-150 SERIES	SB-150M-2373D-525-5T	2.0"	2.0"	145	103	230/460	3	5	11.0/5.5
	SB-150M-2373D-575-5T	2.0"	2.0"	150	121	230/460	3	5	11.0/5.5

NOTE: Electrical characteristics shown at 60 Hz. Motor derated at 50 Hz.

SERIES SB-030



TECHNICAL DATA

- 1" Inlet / 1" Outlet (NPT)
- 0.5 hp
- Max Flow: 30 gpm
- Max Head: 31 ft

SB-030M-1171-250-1/2T

SB-030M-2371-250-1/2T

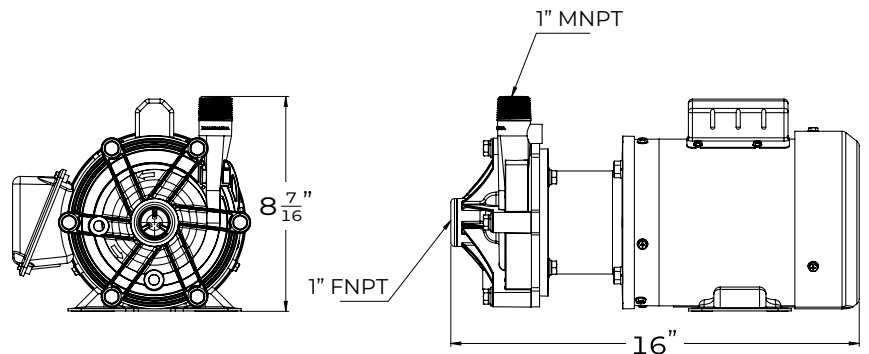
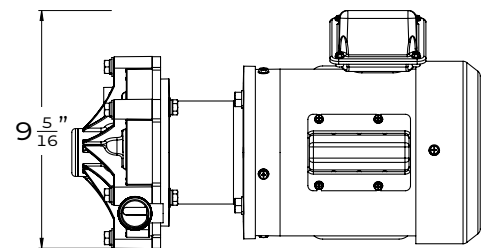
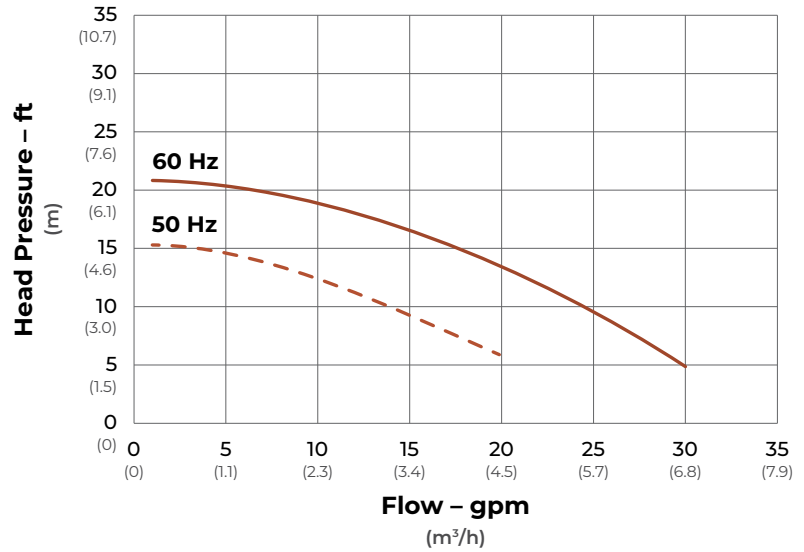
ElectroSea's SeaStrong Silver Bullet pump features a sealless magnetic drive to ensure reliable performance and unparalleled pump durability.

FEATURES

- Magnetic-drive, close-coupled design
- No shaft seals and 100% leak free
- Extended run-dry, ceramic shaft, ultra-low friction infused carbon graphite bushing
- Super-strong neodymium magnets
- Composite pump head and impeller with no metallic parts in fluid path
- CFD design with no low-flow areas
- 316L-reinforced molded inlet ring
- Rotatable pump head
- 316L stainless hardware
- IP55, stainless-steel washdown motor
- 50/60 Hz dual frequency

SPECIFICATIONS

Max Flow	28 gpm
Max Head	21 ft
Inlet	1" FNPT
Outlet	1" MNPT
Voltage	115/208-230 VAC
Phase	1
Horsepower	0.5
Current	7.6/3.8 amps
Frequency	50 or 60 Hz



MODEL	INLET (FNPT)	OUTLET (MNPT)	VOLTAGE	PHASE	HP	AMPS
SB-030M-1171-250-1/2T	1.0"	1.0"	115	1	0.5	7.6
SB-030M-2371-250-1/2T	1.0"	1.0"	230	1	0.5	3.8

NOTE: Electrical characteristics shown at 60 Hz. Motor derated at 50 Hz.

SB-030M-1171-300-1/2T

SB-030M-2371-300-1/2T

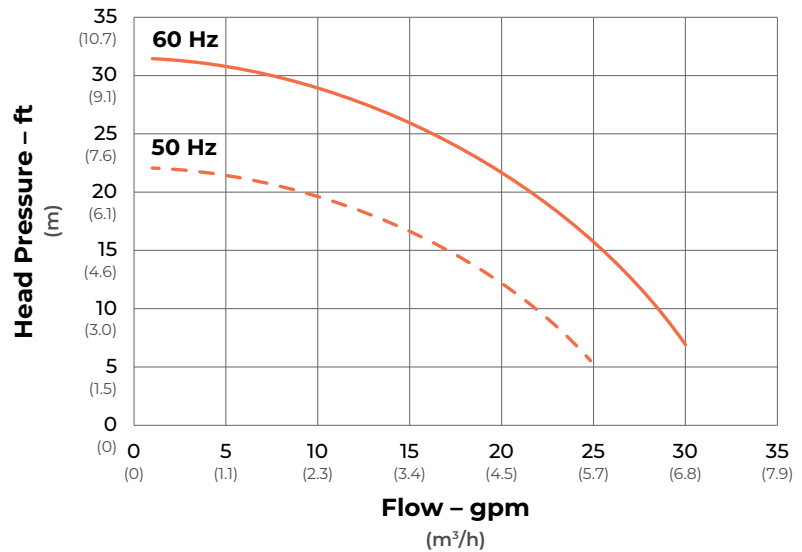
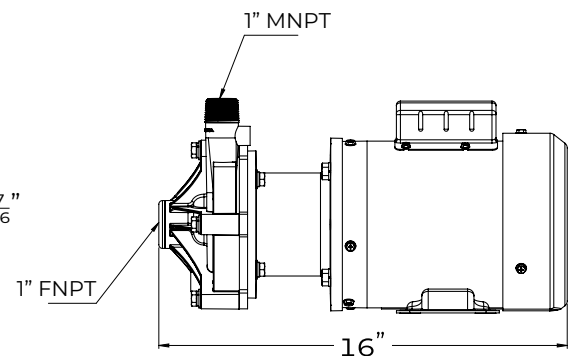
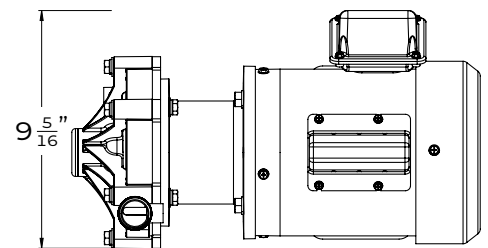
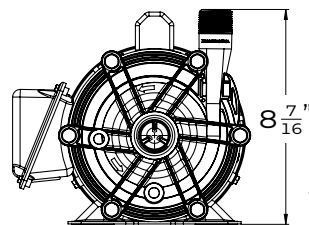
ElectroSea's SeaStrong Silver Bullet pump features a sealless magnetic drive to ensure reliable performance and unparalleled pump durability.

FEATURES

- Magnetic-drive, close-coupled design
- No shaft seals and 100% leak free
- Extended run-dry, ceramic shaft, ultra-low friction infused carbon graphite bushing
- Super-strong neodymium magnets
- Composite pump head and impeller with no metallic parts in fluid path
- CFD design with no low-flow areas
- 316L-reinforced molded inlet ring
- Rotatable pump head
- 316L stainless hardware
- IP55, stainless-steel washdown motor
- 50/60 Hz dual frequency

SPECIFICATIONS

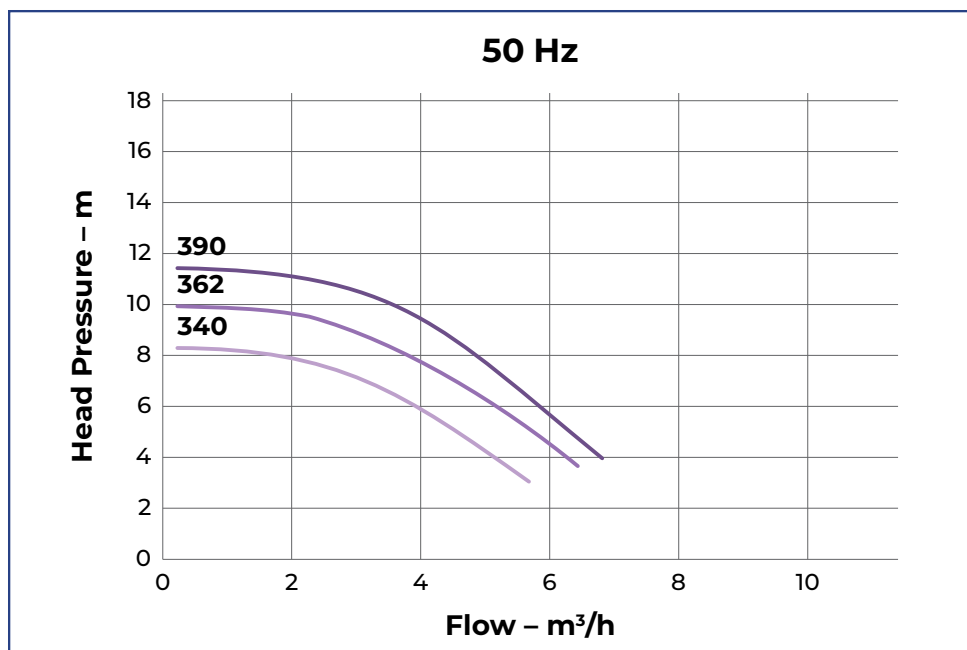
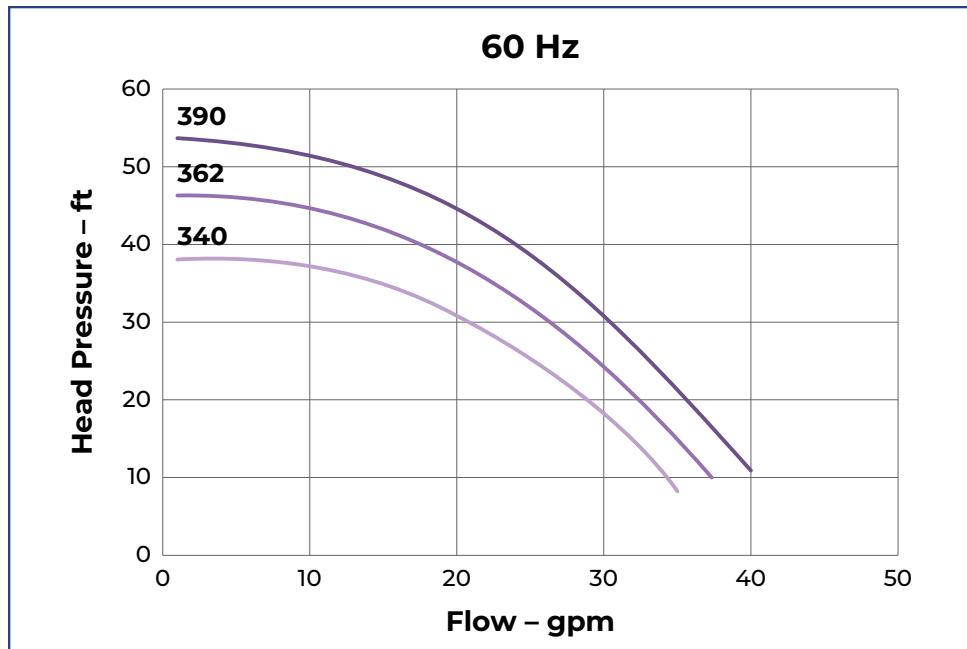
Max Flow	30 gpm
Max Head	31 ft
Inlet	1" FNPT
Outlet	1" MNPT
Voltage	115/208-230 VAC
Phase	1
Horsepower	0.5
Current	7.6/3.8 amps
Frequency	50 or 60 Hz



MODEL	INLET (FNPT)	OUTLET (MNPT)	VOLTAGE	PHASE	HP	AMPS
SB-030M-1171-300-1/2T	1.0"	1.0"	115	1	0.5	7.6
SB-030M-2371-300-1/2T	1.0"	1.0"	230	1	0.5	3.8

NOTE: Electrical characteristics shown at 60 Hz. Motor derated at 50 Hz.

SERIES SB-045



TECHNICAL DATA

- 1" Inlet / 1" Outlet (NPT)
- 0.5 hp
- Max Flow: 40 gpm
- Max Head: 54 ft

SB-045M-1171-340-1/2T

SB-045M-2371-340-1/2T

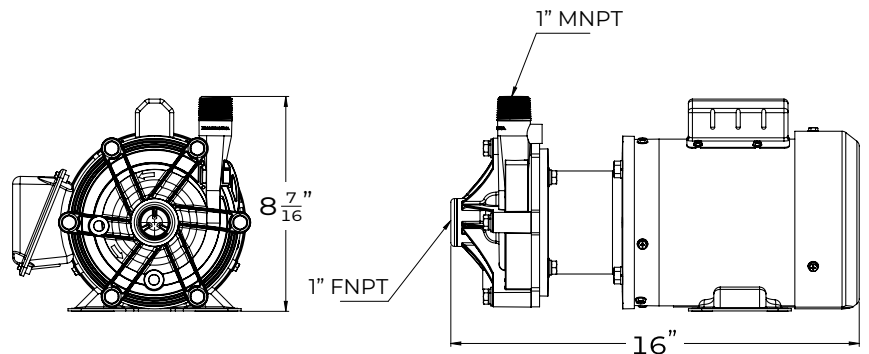
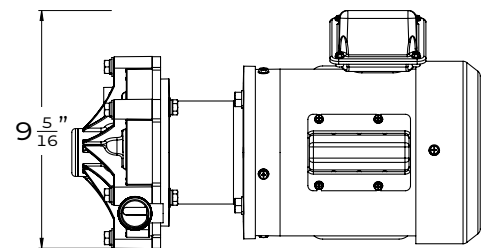
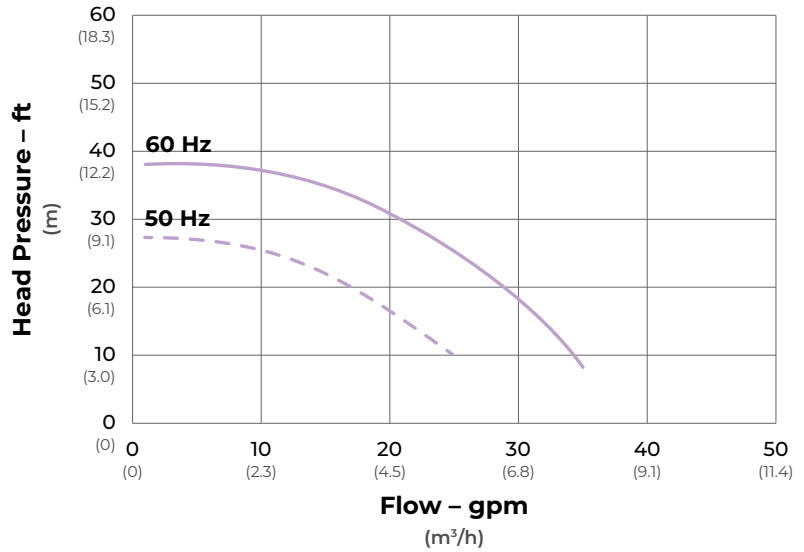
ElectroSea's SeaStrong Silver Bullet pump features a sealless magnetic drive to ensure reliable performance and unparalleled pump durability.

FEATURES

- Magnetic-drive, close-coupled design
- No shaft seals and 100% leak free
- Extended run-dry, ceramic shaft, ultra-low friction infused carbon graphite bushing
- Super-strong neodymium magnets
- Composite pump head and impeller with no metallic parts in fluid path
- CFD design with no low-flow areas
- 316L-reinforced molded inlet ring
- Rotatable pump head
- 316L stainless hardware
- IP55, stainless-steel washdown motor
- 50/60 Hz dual frequency

SPECIFICATIONS

Max Flow	35 gpm
Max Head	38 ft
Inlet	1" FNPT
Outlet	1" MNPT
Voltage	115/208-230 VAC
Phase	1
Horsepower	0.5
Current	7.6/3.8 amps
Frequency	50 or 60 Hz



MODEL	INLET (FNPT)	OUTLET (MNPT)	VOLTAGE	PHASE	HP	AMPS
SB-045M-1171-340-1/2T	1.0"	1.0"	115	1	0.5	7.6
SB-045M-2371-340-1/2T	1.0"	1.0"	230	1	0.5	3.8

NOTE: Electrical characteristics shown at 60 Hz. Motor derated at 50 Hz.

SB-045M-1171-362-1/2T

SB-045M-2371-362-1/2T

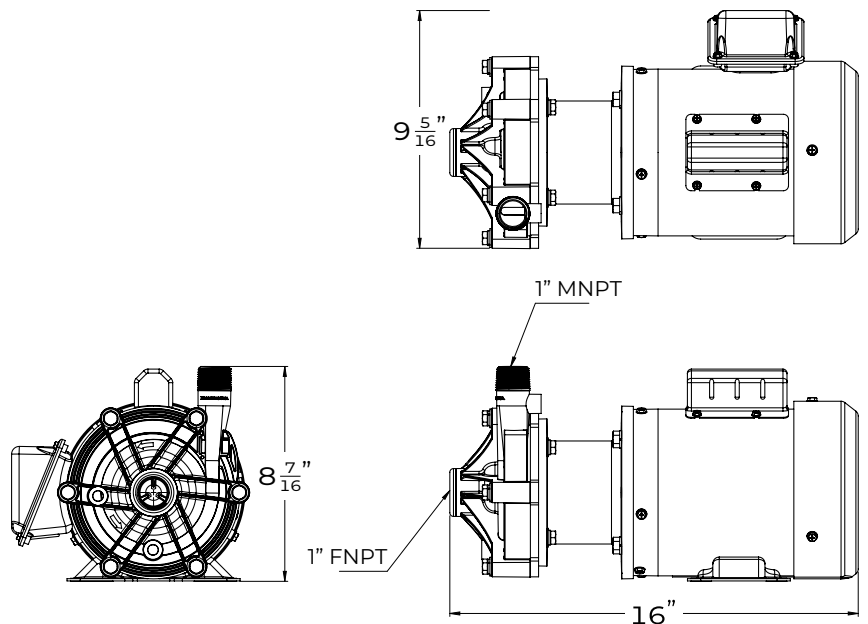
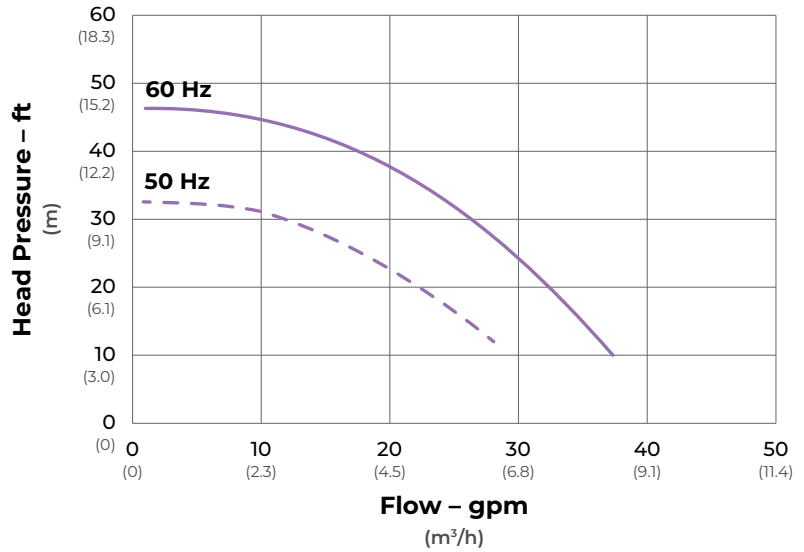
ElectroSea's SeaStrong Silver Bullet pump features a sealless magnetic drive to ensure reliable performance and unparalleled pump durability.

FEATURES

- Magnetic-drive, close-coupled design
- No shaft seals and 100% leak free
- Extended run-dry, ceramic shaft, ultra-low friction infused carbon graphite bushing
- Super-strong neodymium magnets
- Composite pump head and impeller with no metallic parts in fluid path
- CFD design with no low-flow areas
- 316L-reinforced molded inlet ring
- Rotatable pump head
- 316L stainless hardware
- IP55, stainless-steel washdown motor
- 50/60 Hz dual frequency

SPECIFICATIONS

Max Flow	37 gpm
Max Head	46 ft
Inlet	1" FNPT
Outlet	1" MNPT
Voltage	115/208-230 VAC
Phase	1
Horsepower	0.5
Current	7.6/3.8 amps
Frequency	50 or 60 Hz



MODEL	INLET (FNPT)	OUTLET (MNPT)	VOLTAGE	PHASE	HP	AMPS
SB-045M-1171-362-1/2T	1.0"	1.0"	115	1	0.5	7.6
SB-045M-2371-362-1/2T	1.0"	1.0"	230	1	0.5	3.8

NOTE: Electrical characteristics shown at 60 Hz. Motor derated at 50 Hz.

SB-045M-1171-390-1/2T

SB-045M-2371-390-1/2T

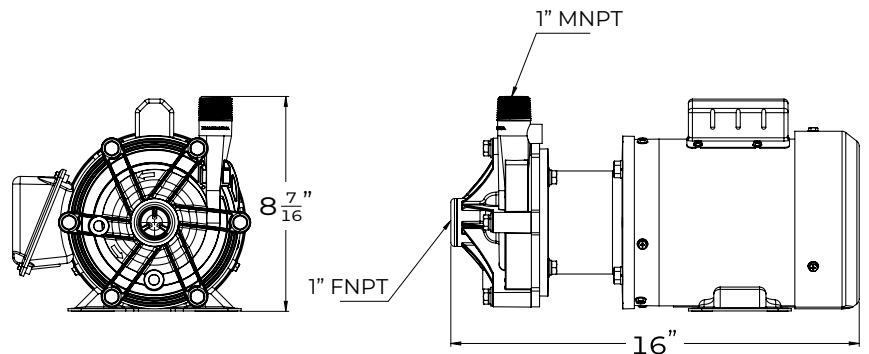
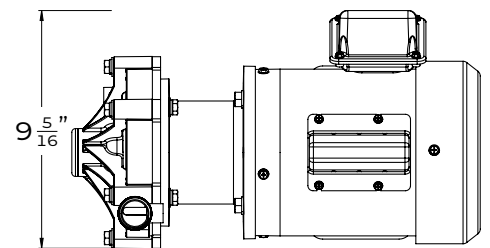
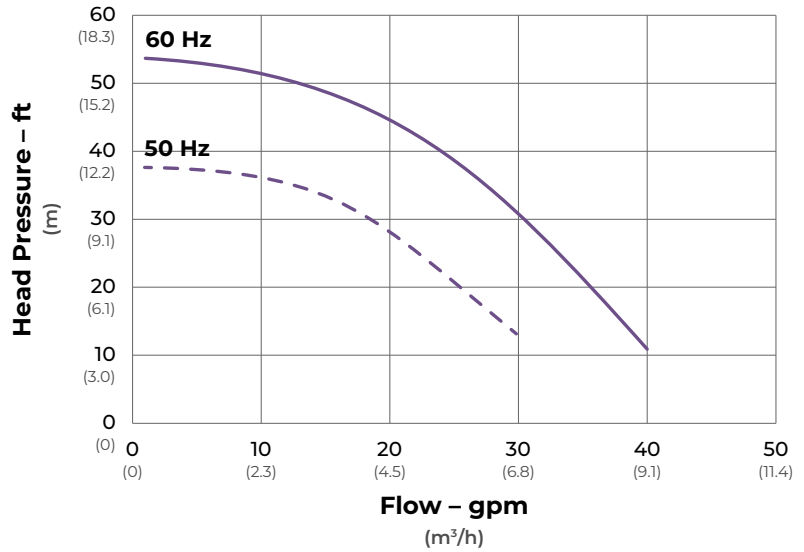
ElectroSea's SeaStrong Silver Bullet pump features a sealless magnetic drive to ensure reliable performance and unparalleled pump durability.

FEATURES

- Magnetic-drive, close-coupled design
- No shaft seals and 100% leak free
- Extended run-dry, ceramic shaft, ultra-low friction infused carbon graphite bushing
- Super-strong neodymium magnets
- Composite pump head and impeller with no metallic parts in fluid path
- CFD design with no low-flow areas
- 316L-reinforced molded inlet ring
- Rotatable pump head
- 316L stainless hardware
- IP55, stainless-steel washdown motor
- 50/60 Hz dual frequency

SPECIFICATIONS

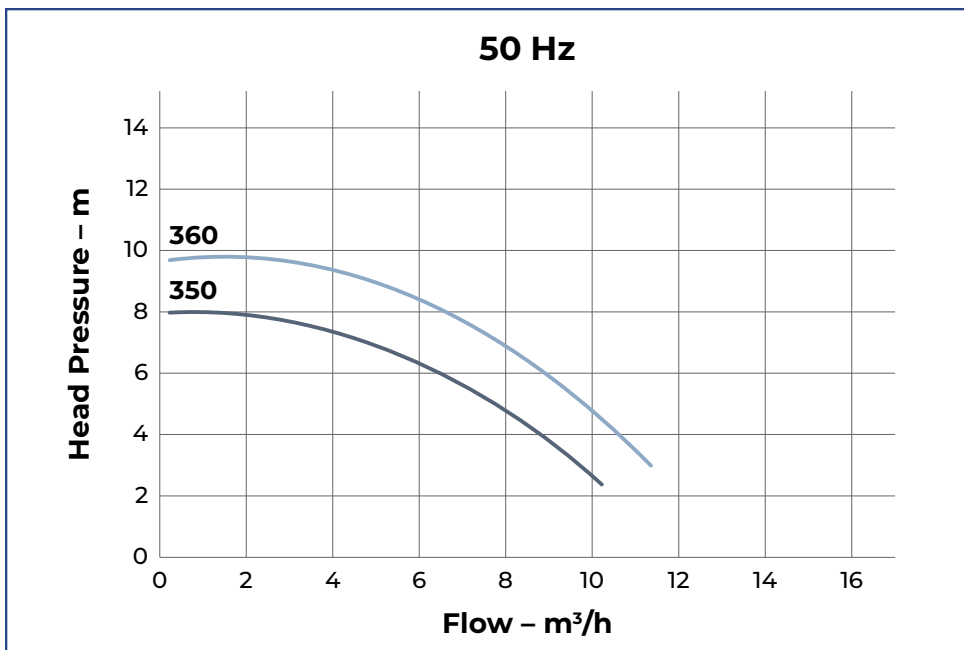
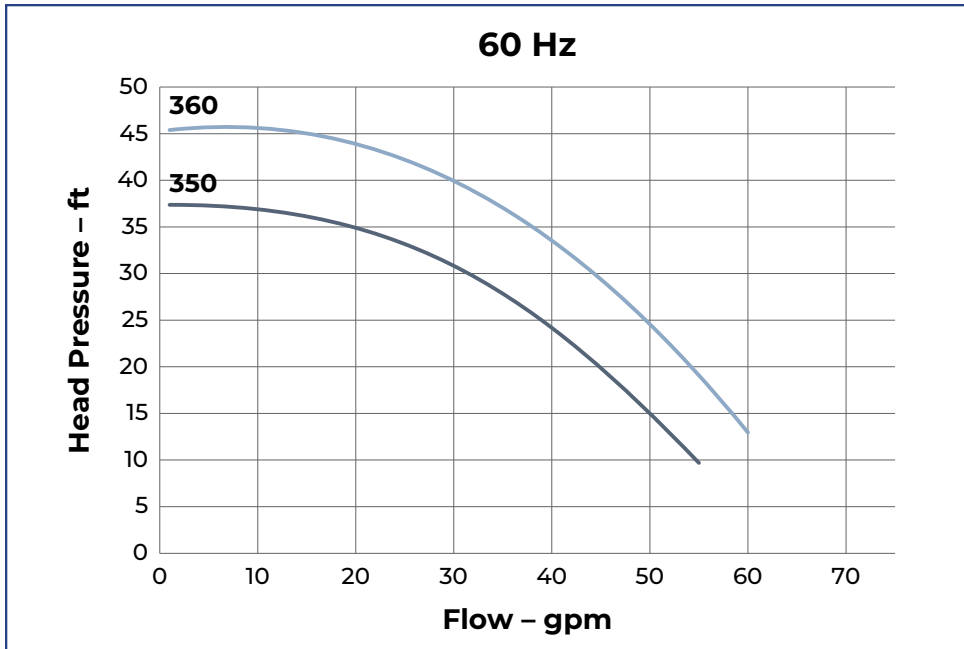
Max Flow	40 gpm
Max Head	54 ft
Inlet	1" FNPT
Outlet	1" MNPT
Voltage	115/208-230 VAC
Phase	1
Horsepower	0.5
Current	7.6/3.8 amps
Frequency	50 or 60 Hz



MODEL	INLET (FNPT)	OUTLET (MNPT)	VOLTAGE	PHASE	HP	AMPS
SB-045M-1171-390-1/2T	1.0"	1.0"	115	1	0.5	7.6
SB-045M-2371-390-1/2T	1.0"	1.0"	230	1	0.5	3.8

NOTE: Electrical characteristics shown at 60 Hz. Motor derated at 50 Hz.

SERIES SB-062



TECHNICAL DATA

- 1.5" Inlet / 1" Outlet (NPT)
- 0.5 hp
- Max Flow: 60 gpm
- Max Head: 46 ft

SB-062M-1171-350-1/2T

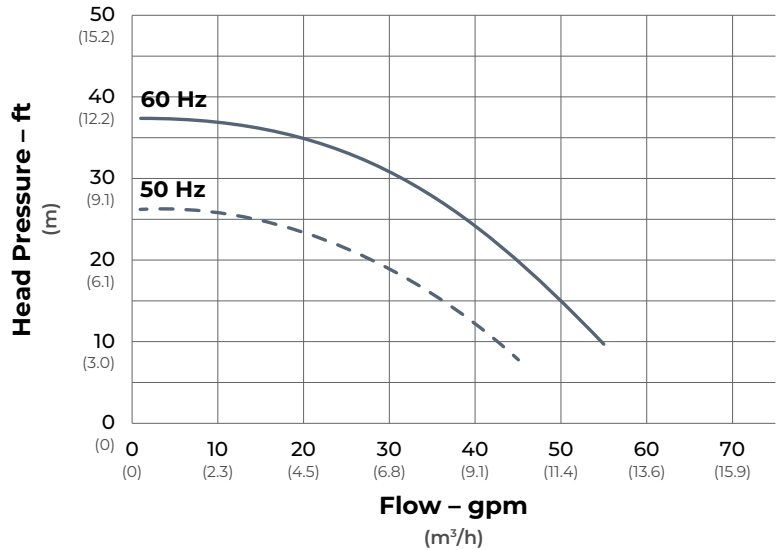
SB-062M-2371-350-1/2T

ElectroSea's SeaStrong Silver Bullet pump features a sealless magnetic drive to ensure reliable performance and unparalleled pump durability.

SB-062 SERIES

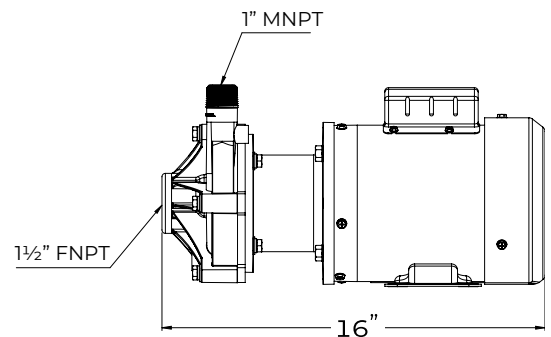
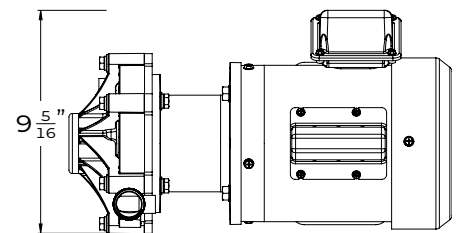
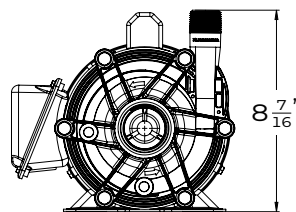
FEATURES

- Magnetic-drive, close-coupled design
- No shaft seals and 100% leak free
- Extended run-dry, ceramic shaft, ultra-low friction infused carbon graphite bushing
- Super-strong neodymium magnets
- Composite pump head and impeller with no metallic parts in fluid path
- CFD design with no low-flow areas
- 316L-reinforced molded inlet ring
- Rotatable pump head
- 316L stainless hardware
- IP55, stainless-steel washdown motor
- 50/60 Hz dual frequency



SPECIFICATIONS

Max Flow	55 gpm
Max Head	37 ft
Inlet	1.5" FNPT
Outlet	1" MNPT
Voltage	115/208-230 VAC
Phase	1
Horsepower	0.5
Current	7.6/3.8 amps
Frequency	50 or 60 Hz



MODEL	INLET (FNPT)	OUTLET (MNPT)	VOLTAGE	PHASE	HP	AMPS
SB-062M-1171-350-1/2T	1.5"	1.0"	115	1	0.5	7.6
SB-062M-2371-350-1/2T	1.5"	1.0"	230	1	0.5	3.8

NOTE: Electrical characteristics shown at 60 Hz. Motor derated at 50 Hz.

SB-062M-1171-360-1/2T

SB-062M-2371-360-1/2T

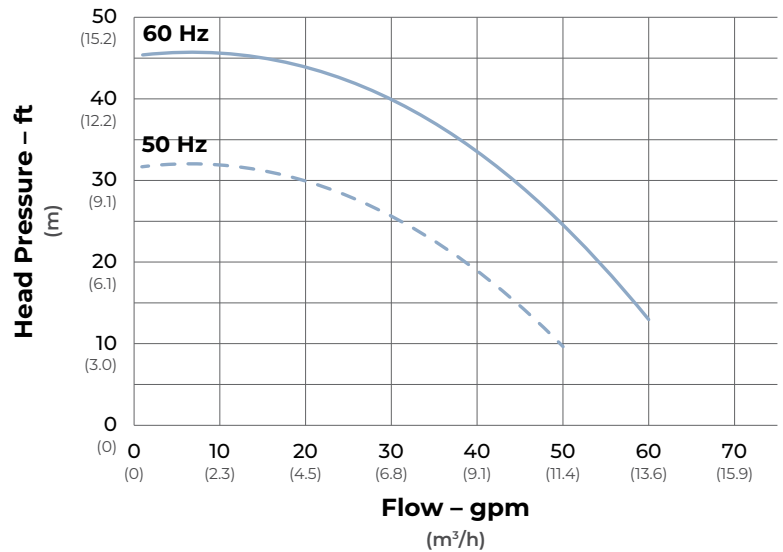
ElectroSea's SeaStrong Silver Bullet pump features a sealless magnetic drive to ensure reliable performance and unparalleled pump durability.

FEATURES

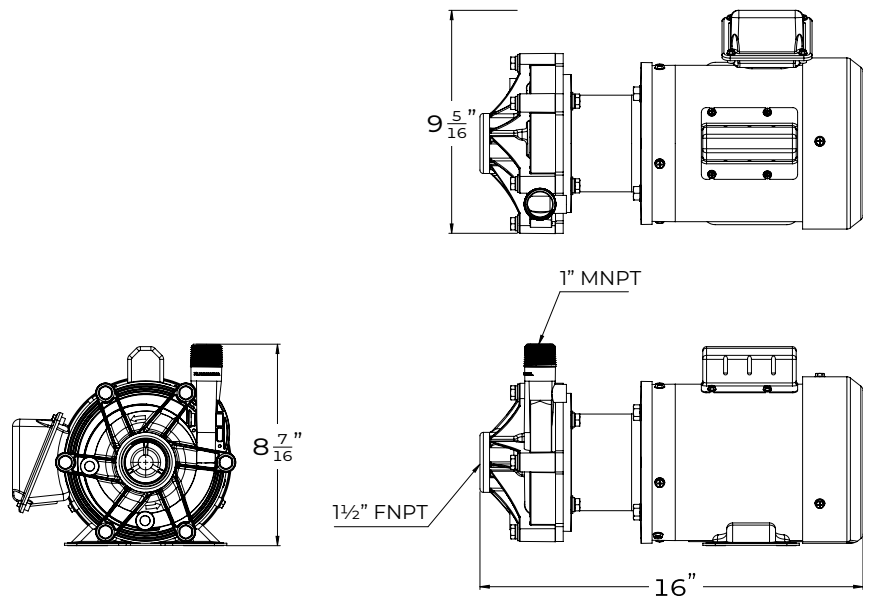
- Magnetic-drive, close-coupled design
- No shaft seals and 100% leak free
- Extended run-dry, ceramic shaft, ultra-low friction infused carbon graphite bushing
- Super-strong neodymium magnets
- Composite pump head and impeller with no metallic parts in fluid path
- CFD design with no low-flow areas
- 316L-reinforced molded inlet ring
- Rotatable pump head
- 316L stainless hardware
- IP55, stainless-steel washdown motor
- 50/60 Hz dual frequency

SPECIFICATIONS

Max Flow	60 gpm
Max Head	46 ft
Inlet	1.5" FNPT
Outlet	1" MNPT
Voltage	115/208-230 VAC
Phase	1
Horsepower	0.5
Current	7.6/3.8 amps
Frequency	50 or 60 Hz



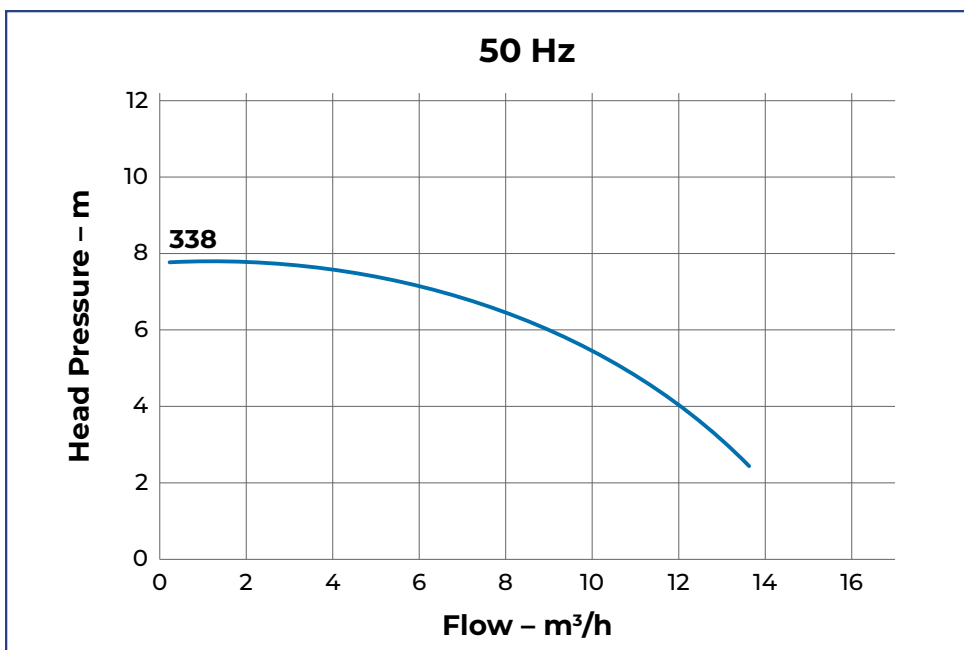
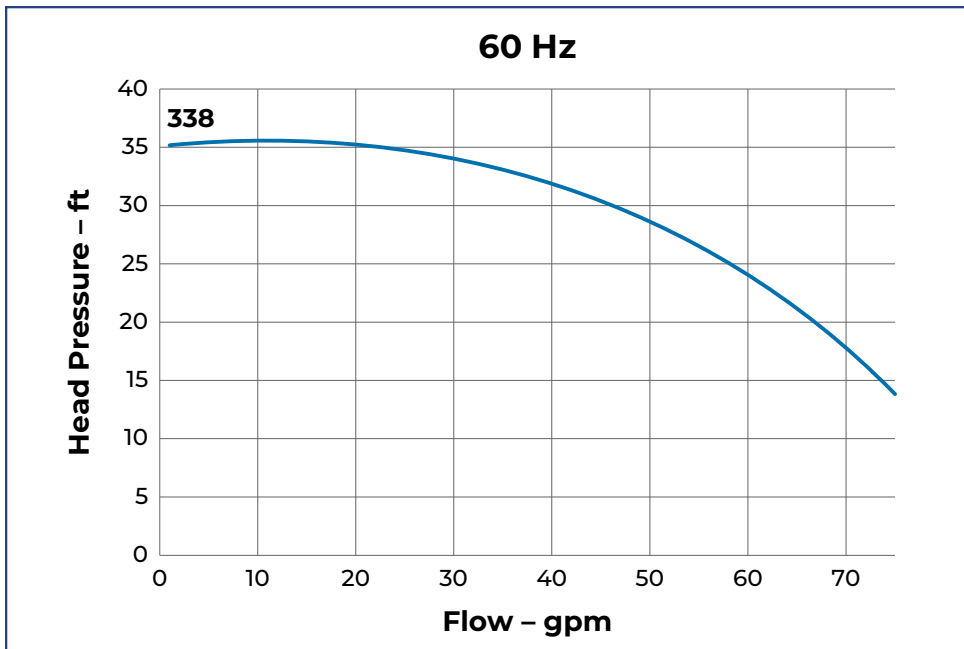
SB-062 SERIES



MODEL	INLET (FNPT)	OUTLET (MNPT)	VOLTAGE	PHASE	HP	AMPS
SB-062M-1171-360-1/2T	1.5"	1.0"	115	1	0.5	7.6
SB-062M-2371-360-1/2T	1.5"	1.0"	230	1	0.5	3.8

NOTE: Electrical characteristics shown at 60 Hz. Motor derated at 50 Hz.

SERIES SB-075



TECHNICAL DATA

- 1.5" Inlet / 1.5" Outlet (NPT)
- 0.5 hp
- Max Flow: 75 gpm
- Max Head: 35 ft

SB-075M-1171-338-1/2T

SB-075M-2371-338-1/2T

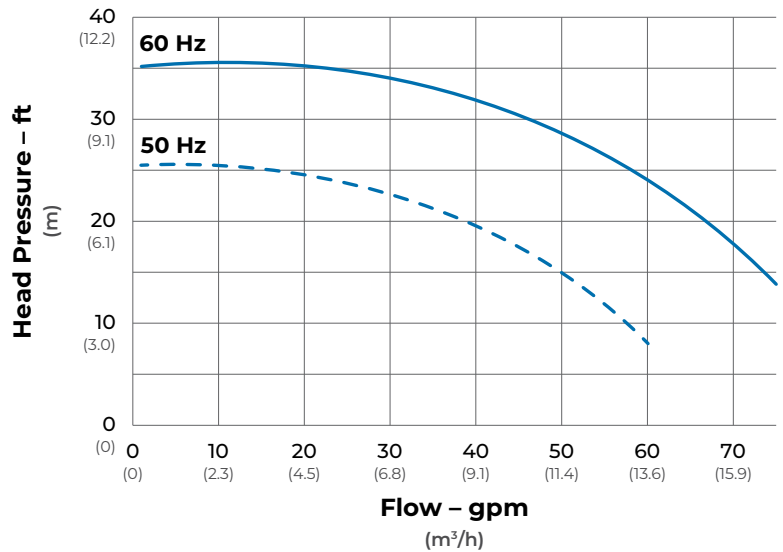
ElectroSea's SeaStrong Silver Bullet pump features a sealless magnetic drive to ensure reliable performance and unparalleled pump durability.

FEATURES

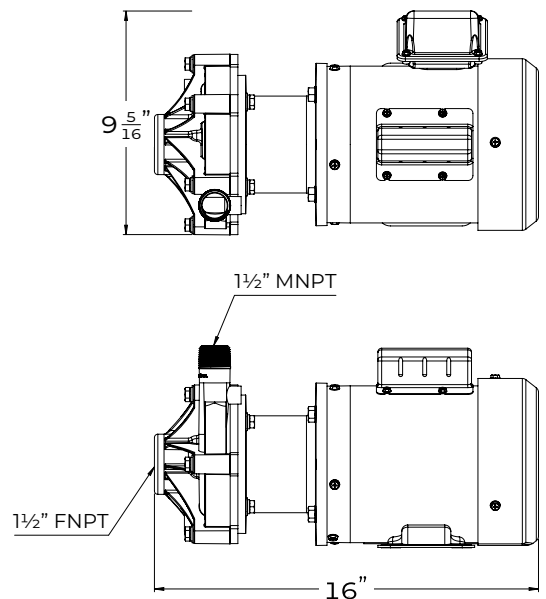
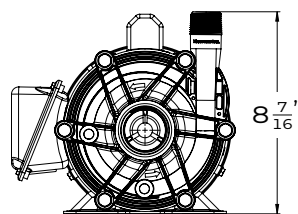
- Magnetic-drive, close-coupled design
- No shaft seals and 100% leak free
- Extended run-dry, ceramic shaft, ultra-low friction infused carbon graphite bushing
- Super-strong neodymium magnets
- Composite pump head and impeller with no metallic parts in fluid path
- CFD design with no low-flow areas
- 316L-reinforced molded inlet ring
- Rotatable pump head
- 316L stainless hardware
- IP55, stainless-steel washdown motor
- 50/60 Hz dual frequency

SPECIFICATIONS

Max Flow	75 gpm
Max Head	35 ft
Inlet	1.5" FNPT
Outlet	1.5" MNPT
Voltage	115/208-230 VAC
Phase	1
Horsepower	0.5
Current	7.6/3.8 amps
Frequency	50 or 60 Hz



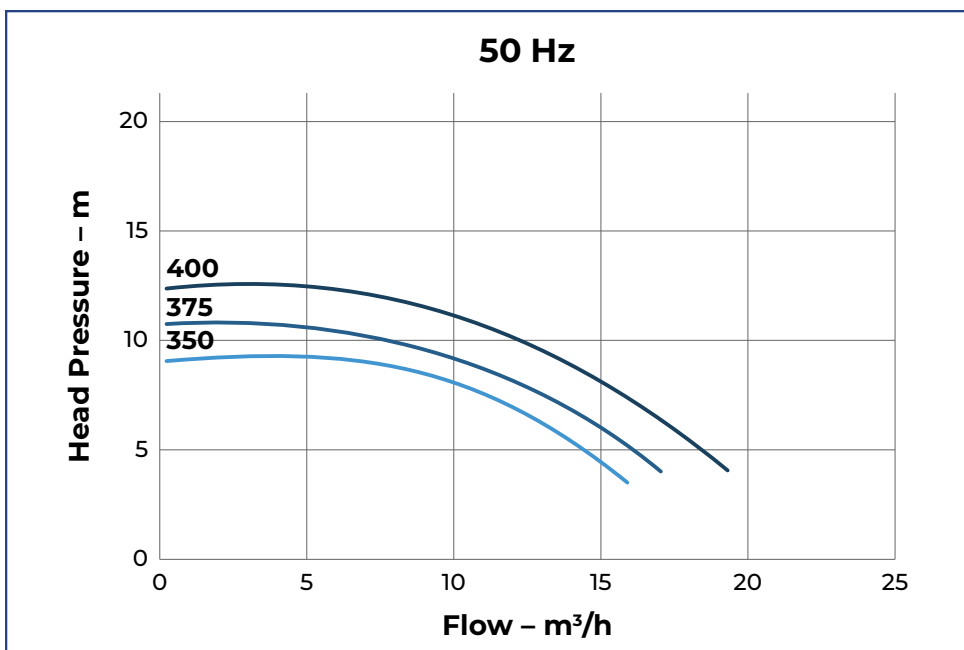
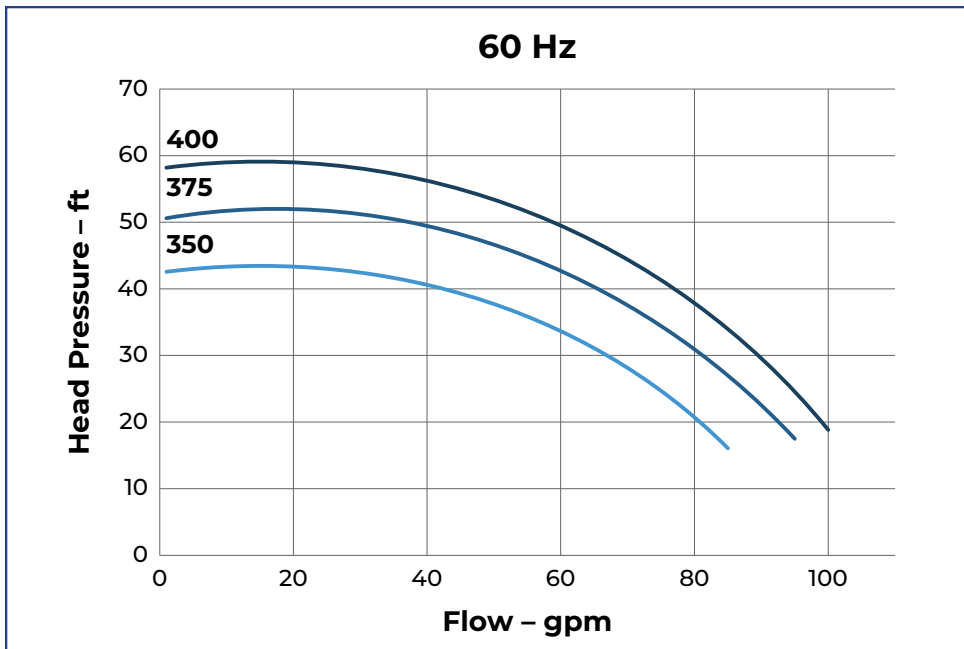
SB-075 SERIES



MODEL	INLET (FNPT)	OUTLET (MNPT)	VOLTAGE	PHASE	HP	AMPS
SB-075M-1171-338-1/2T	1.5"	1.5"	115	1	0.5	7.6
SB-075M-2371-338-1/2T	1.5"	1.5"	230	1	0.5	3.8

NOTE: Electrical characteristics shown at 60 Hz. Motor derated at 50 Hz.

SERIES SB-100



TECHNICAL DATA

- 1.5" Inlet / 1.5" Outlet (NPT)
- 1 hp
- Max Flow: 95 gpm
- Max Head: 59 ft

SB-100M-1171D-350-1T

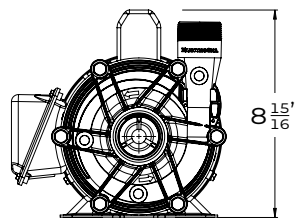
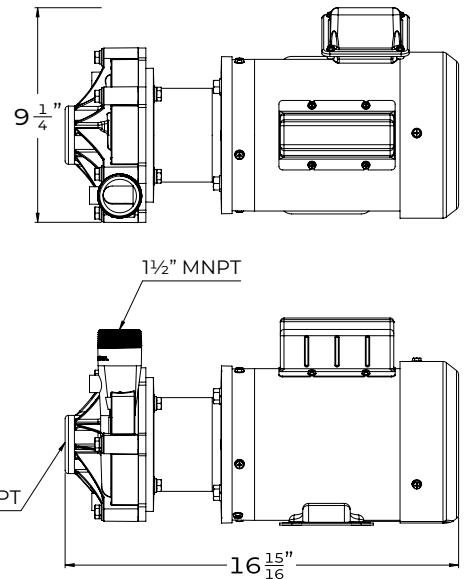
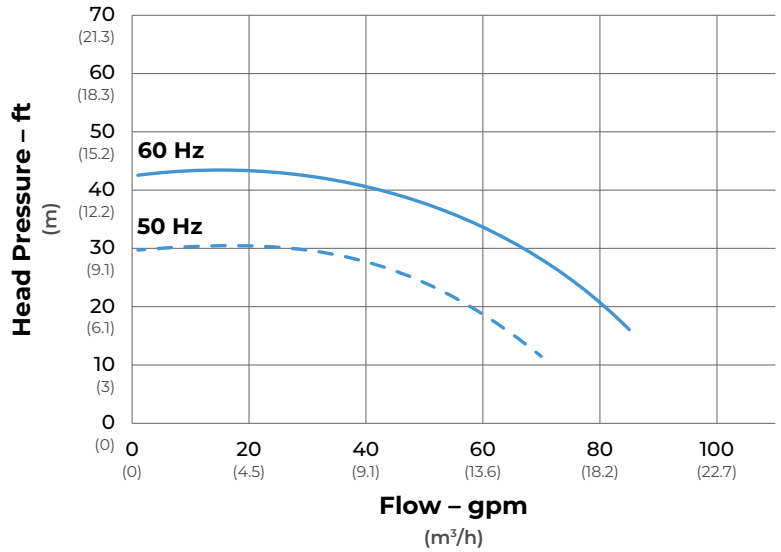
ElectroSea's SeaStrong Silver Bullet pump features a sealless magnetic drive to ensure reliable performance and unparalleled pump durability.

FEATURES

- Magnetic-drive, close-coupled design
- No shaft seals and 100% leak free
- Extended run-dry, ceramic shaft, ultra-low friction infused carbon graphite bushing
- Super-strong neodymium magnets
- Composite pump head and impeller with no metallic parts in fluid path
- CFD design with no low-flow areas
- 316L-reinforced molded inlet ring
- Rotatable pump head
- 316L stainless hardware
- IP55, stainless-steel washdown motor
- 50/60 Hz dual frequency

SPECIFICATIONS

Max Flow	85 gpm
Max Head	43 ft
Inlet	1.5" FNPT
Outlet	1.5" MNPT
Voltage	115/208-230 VAC
Phase	1
Horsepower	1
Current	12.4/6.2 amps
Frequency	50 or 60 Hz



SB-100 SERIES

MODEL	INLET (FNPT)	OUTLET (MNPT)	VOLTAGE	PHASE	HP	AMPS
SB-100M-1171D-350-1T	1.5"	1.5"	115/230	1	1	12.4/6.2

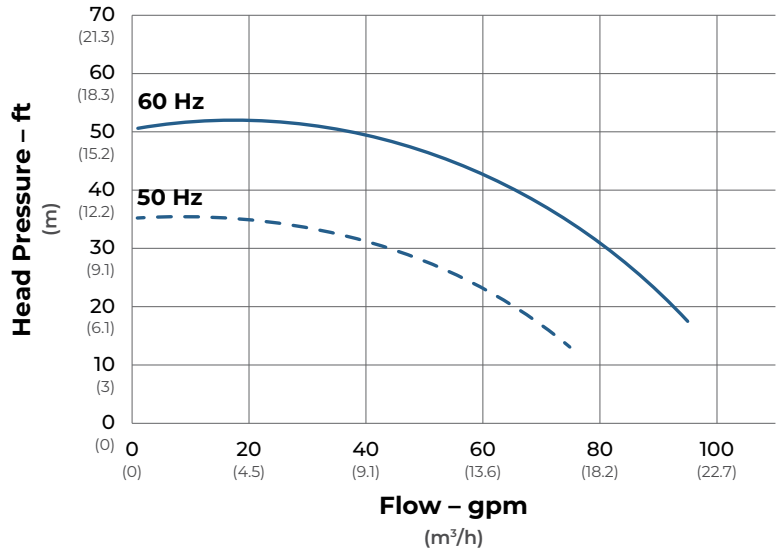
NOTE: Electrical characteristics shown at 60 Hz. Motor derated at 50 Hz.

SB-100M-1171D-375-1T

ElectroSea's SeaStrong Silver Bullet pump features a sealless magnetic drive to ensure reliable performance and unparalleled pump durability.

FEATURES

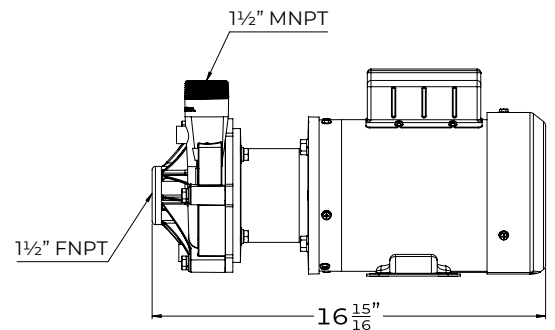
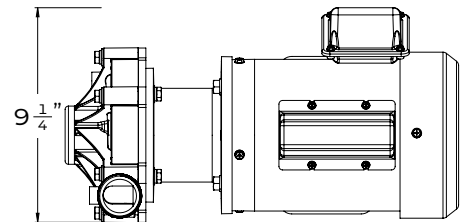
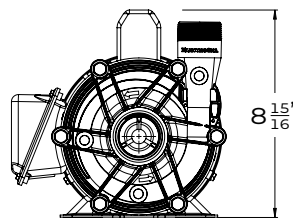
- Magnetic-drive, close-coupled design
- No shaft seals and 100% leak free
- Extended run-dry, ceramic shaft, ultra-low friction infused carbon graphite bushing
- Super-strong neodymium magnets
- Composite pump head and impeller with no metallic parts in fluid path
- CFD design with no low-flow areas
- 316L-reinforced molded inlet ring
- Rotatable pump head
- 316L stainless hardware
- IP55, stainless-steel washdown motor
- 50/60 Hz dual frequency



SB-100 SERIES

SPECIFICATIONS

Max Flow	90 gpm
Max Head	52 ft
Inlet	1.5" FNPT
Outlet	1.5" MNPT
Voltage	115/208-230 VAC
Phase	1
Horsepower	1
Current	12.4/6.2 amps
Frequency	50 or 60 Hz



MODEL	INLET (FNPT)	OUTLET (MNPT)	VOLTAGE	PHASE	HP	AMPS
SB-100M-1171D-375-1T	1.5"	1.5"	115/230	1	1	12.4/6.2

NOTE: Electrical characteristics shown at 60 Hz. Motor derated at 50 Hz.

SB-100M-1171D-400-1T

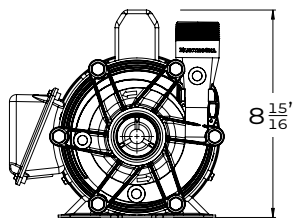
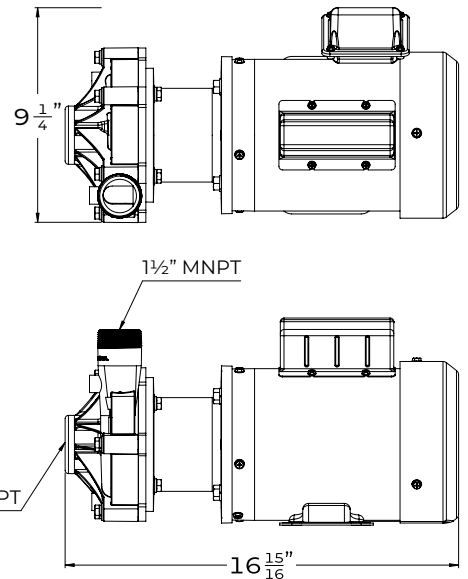
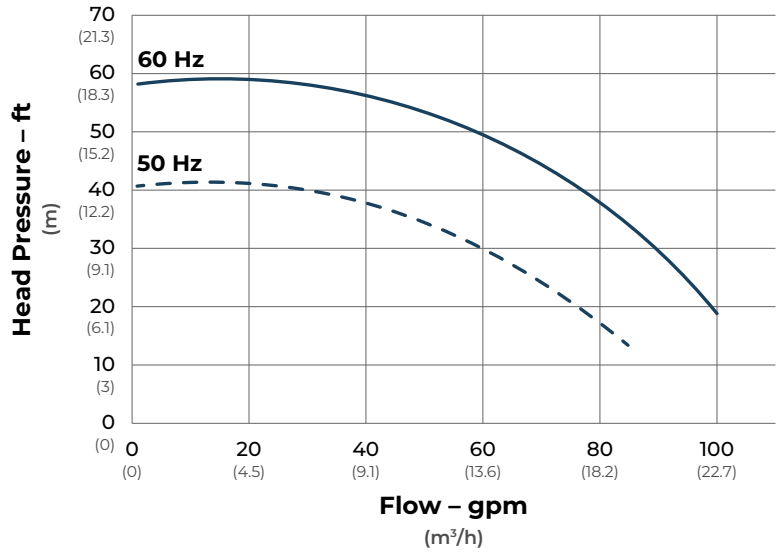
ElectroSea's SeaStrong Silver Bullet pump features a sealless magnetic drive to ensure reliable performance and unparalleled pump durability.

FEATURES

- Magnetic-drive, close-coupled design
- No shaft seals and 100% leak free
- Extended run-dry, ceramic shaft, ultra-low friction infused carbon graphite bushing
- Super-strong neodymium magnets
- Composite pump head and impeller with no metallic parts in fluid path
- CFD design with no low-flow areas
- 316L-reinforced molded inlet ring
- Rotatable pump head
- 316L stainless hardware
- IP55, stainless-steel washdown motor
- 50/60 Hz dual frequency

SPECIFICATIONS

Max Flow	95 gpm
Max Head	59 ft
Inlet	1.5" FNPT
Outlet	1.5" MNPT
Voltage	115/208-230 VAC
Phase	1
Horsepower	1
Current	12.4/6.2 amps
Frequency	50 or 60 Hz

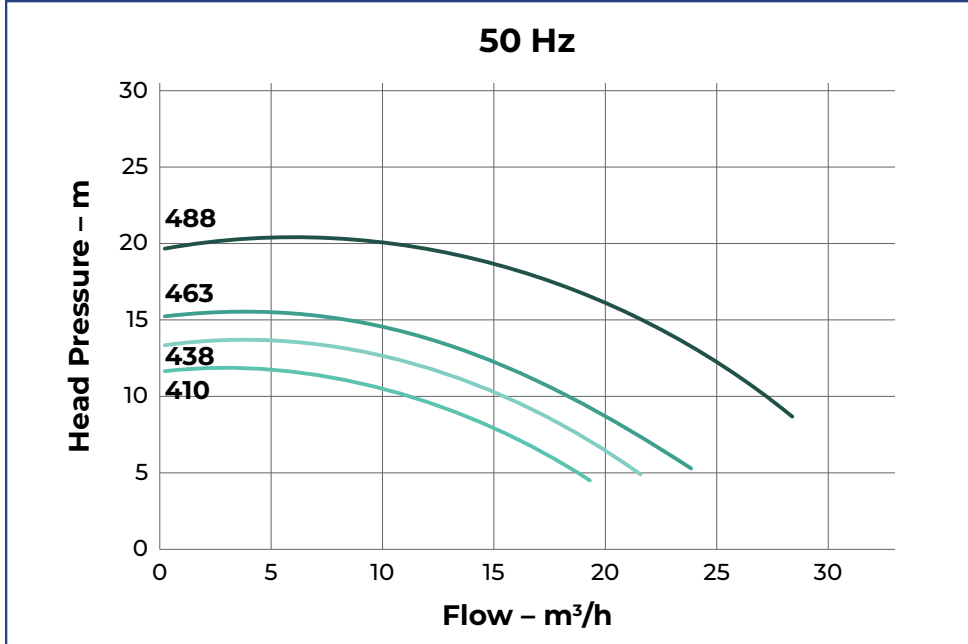
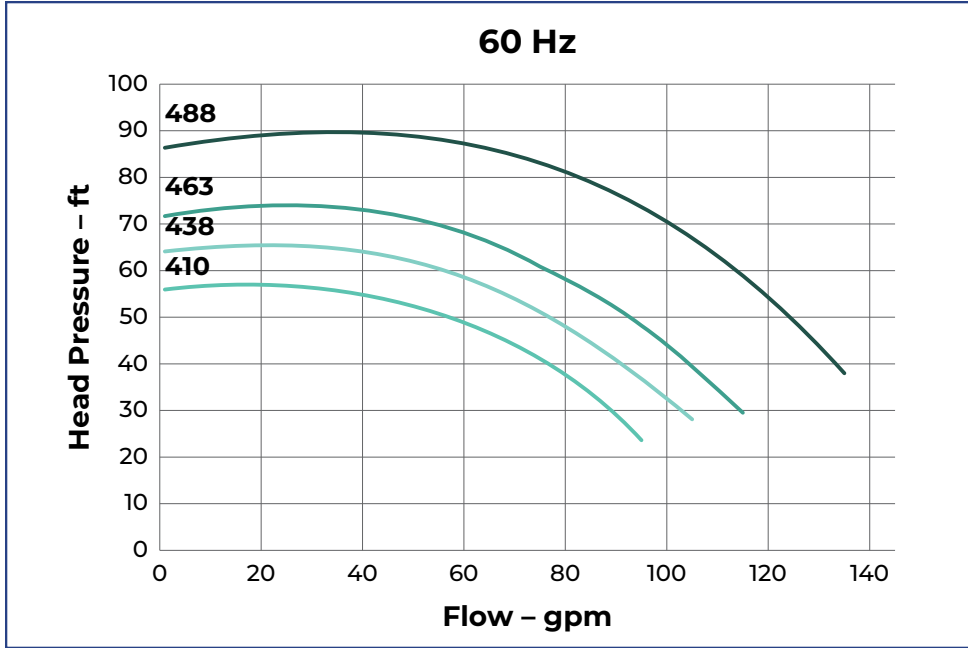


SB-100 SERIES

MODEL	INLET (FNPT)	OUTLET (MNPT)	VOLTAGE	PHASE	HP	AMPS
SB-100M-1171D-400-1T	1.5"	1.5"	115/230	1	1	12.4/6.2

NOTE: Electrical characteristics shown at 60 Hz. Motor derated at 50 Hz.

SERIES SB-137



TECHNICAL DATA

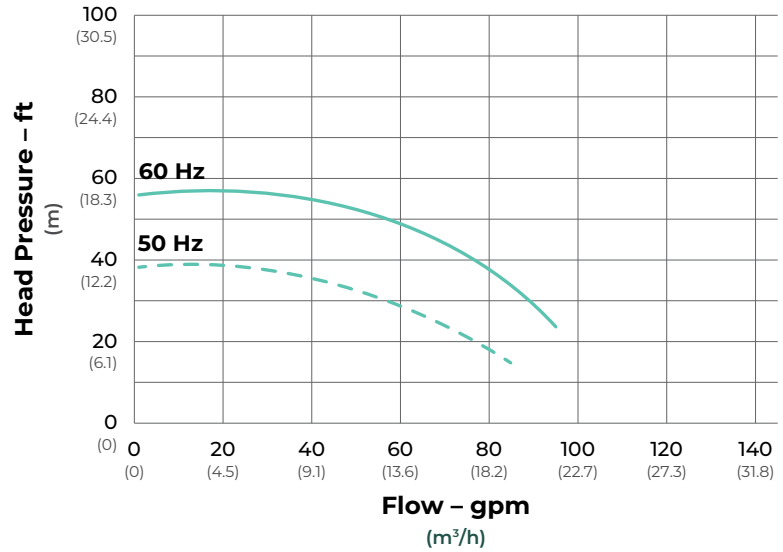
- 2" Inlet / 1.5" Outlet (NPT)
- 1½, 2 and 3 hp
- Max Flow: 135 gpm
- Max Head: 90 ft

SB-137M-1171D-410-1 1/2T

ElectroSea's SeaStrong Silver Bullet pump features a sealless magnetic drive to ensure reliable performance and unparalleled pump durability.

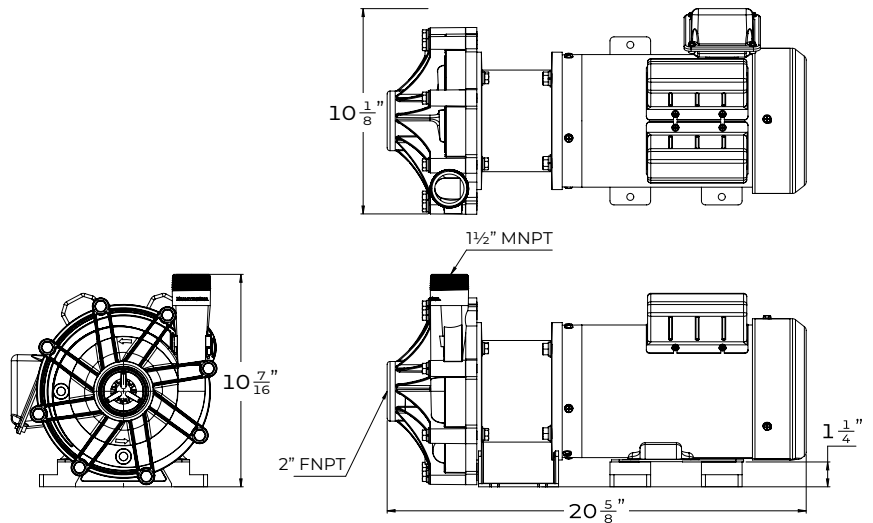
FEATURES

- Magnetic-drive, close-coupled design
- No shaft seals and 100% leak free
- Extended run-dry, ceramic shaft, ultra-low friction infused carbon graphite bushing
- Super-strong neodymium magnets
- Composite pump head and impeller with no metallic parts in fluid path
- CFD design with no low-flow areas
- 316L-reinforced molded inlet ring
- Rotatable pump head
- 316L stainless hardware
- IP55, stainless-steel washdown motor
- 50/60 Hz dual frequency



SPECIFICATIONS

Max Flow	95 gpm
Max Head	57 ft
Inlet	2" FNPT
Outlet	1.5" MNPT
Voltage	115/208-230 VAC
Phase	1
Horsepower	1.5
Current	16.4/8.5 amps
Frequency	50 or 60 Hz



SB-137 SERIES

MODEL	INLET (FNPT)	OUTLET (MNPT)	VOLTAGE	PHASE	HP	AMPS
SB-137M-1171D-410-1 1/2T	2.0"	1.5"	115/230	1	1.5	16.4/8.5

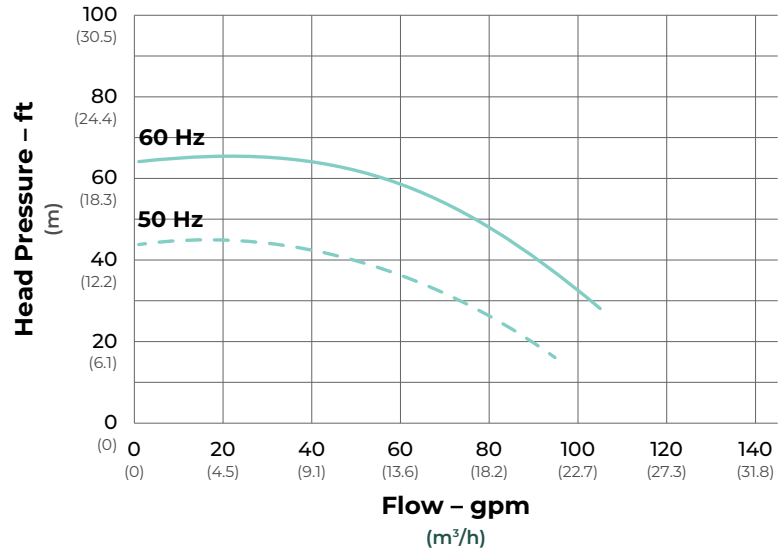
NOTE: Electrical characteristics shown at 60 Hz. Motor derated at 50 Hz.

SB-137M-1171D-438-1 1/2T

ElectroSea's SeaStrong Silver Bullet pump features a sealless magnetic drive to ensure reliable performance and unparalleled pump durability.

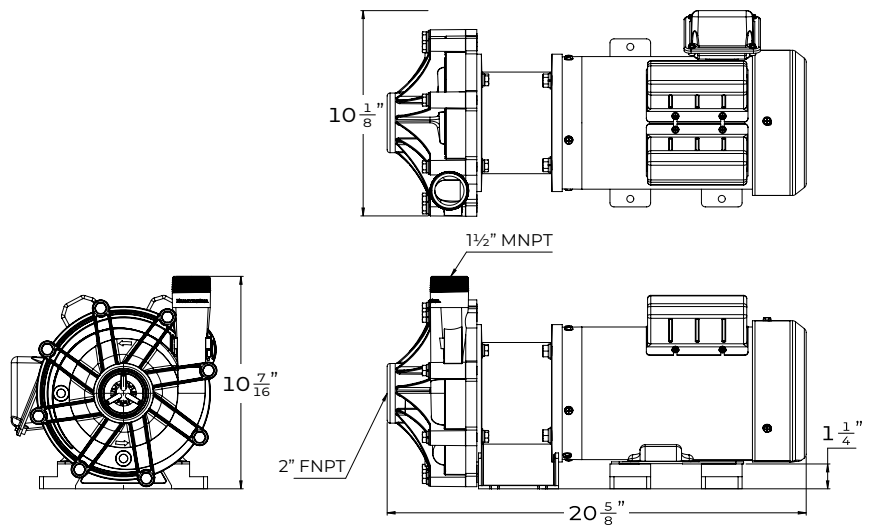
FEATURES

- Magnetic-drive, close-coupled design
- No shaft seals and 100% leak free
- Extended run-dry, ceramic shaft, ultra-low friction infused carbon graphite bushing
- Super-strong neodymium magnets
- Composite pump head and impeller with no metallic parts in fluid path
- CFD design with no low-flow areas
- 316L-reinforced molded inlet ring
- Rotatable pump head
- 316L stainless hardware
- IP55, stainless-steel washdown motor
- 50/60 Hz dual frequency



SPECIFICATIONS

Max Flow	105 gpm
Max Head	65 ft
Inlet	2" FNPT
Outlet	1.5" MNPT
Voltage	115/208-230 VAC
Phase	1
Horsepower	1.5
Current	16.4/8.5 amps
Frequency	50 or 60 Hz



SB-137 SERIES

MODEL	INLET (FNPT)	OUTLET (MNPT)	VOLTAGE	PHASE	HP	AMPS
SB-137M-1171D-438-1 1/2T	2.0"	1.5"	115/230	1	1.5	16.4/8.5

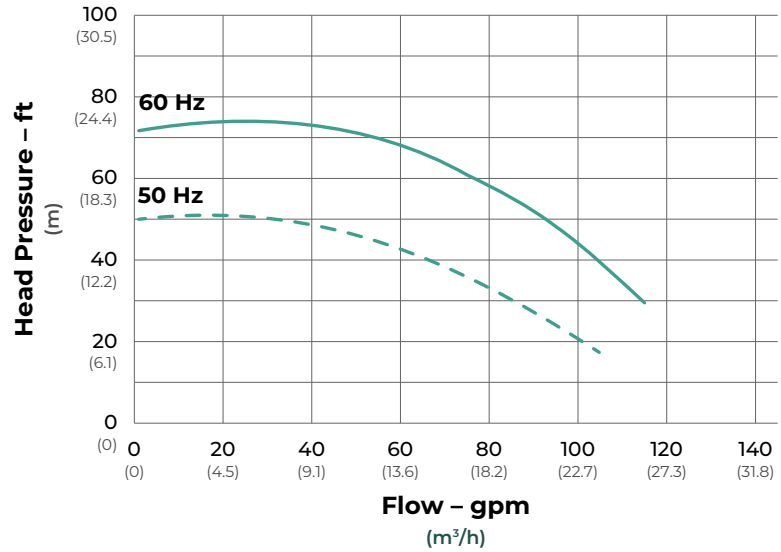
NOTE: Electrical characteristics shown at 60 Hz. Motor derated at 50 Hz.

SB-137M-1171D-463-2T

ElectroSea's SeaStrong Silver Bullet pump features a sealless magnetic drive to ensure reliable performance and unparalleled pump durability.

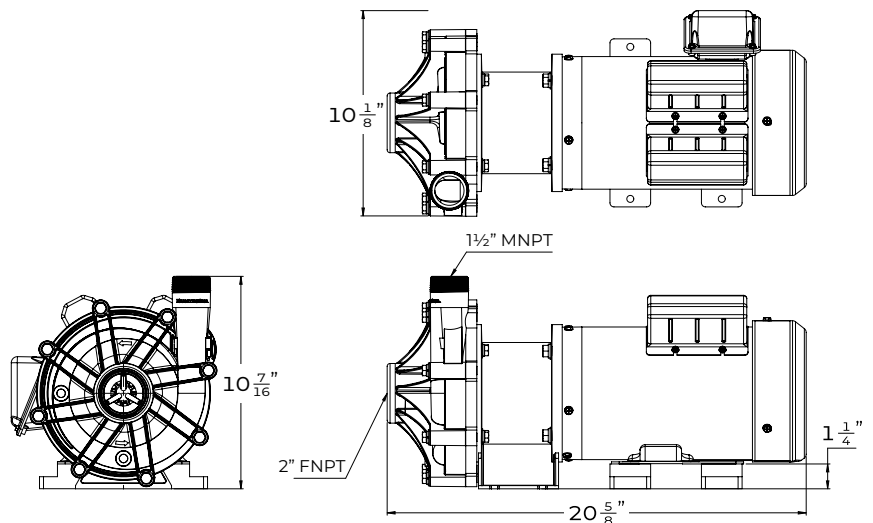
FEATURES

- Magnetic-drive, close-coupled design
- No shaft seals and 100% leak free
- Extended run-dry, ceramic shaft, ultra-low friction infused carbon graphite bushing
- Super-strong neodymium magnets
- Composite pump head and impeller with no metallic parts in fluid path
- CFD design with no low-flow areas
- 316L-reinforced molded inlet ring
- Rotatable pump head
- 316L stainless hardware
- IP55, stainless-steel washdown motor
- 50/60 Hz dual frequency



SPECIFICATIONS

Max Flow	115 gpm
Max Head	74 ft
Inlet	2" FNPT
Outlet	1.5" MNPT
Voltage	115/208-230 VAC
Phase	1
Horsepower	2
Current	19.0/9.5 amps
Frequency	50 or 60 Hz



SB-137 SERIES

MODEL	INLET (FNPT)	OUTLET (MNPT)	VOLTAGE	PHASE	HP	AMPS
SB-137M-1171D-463-2T	2.0"	1.5"	115/230	1	2	19.0/9.5

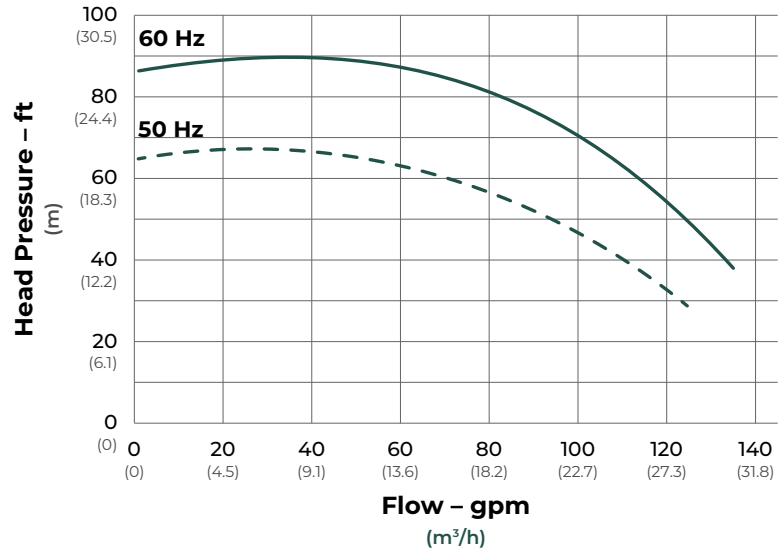
NOTE: Electrical characteristics shown at 60 Hz. Motor derated at 50 Hz.

SB-137M-2373D-488-3T

ElectroSea's SeaStrong Silver Bullet pump features a sealless magnetic drive to ensure reliable performance and unparalleled pump durability.

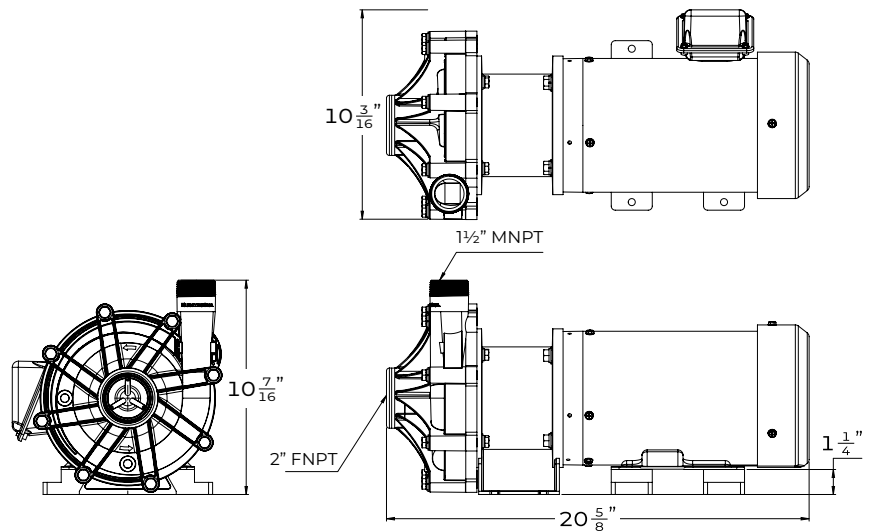
FEATURES

- Magnetic-drive, close-coupled design
- No shaft seals and 100% leak free
- Extended run-dry, ceramic shaft, ultra-low friction infused carbon graphite bushing
- Super-strong neodymium magnets
- Composite pump head and impeller with no metallic parts in fluid path
- CFD design with no low-flow areas
- 316L-reinforced molded inlet ring
- Rotatable pump head
- 316L stainless hardware
- IP55, stainless-steel washdown motor
- 50/60 Hz dual frequency



SPECIFICATIONS

Max Flow	135 gpm
Max Head	90 ft
Inlet	2" FNPT
Outlet	1.5" MNPT
Voltage	230/460 VAC
Phase	3
Horsepower	3
Current	7.2/3.66 amps
Frequency	50 or 60 Hz

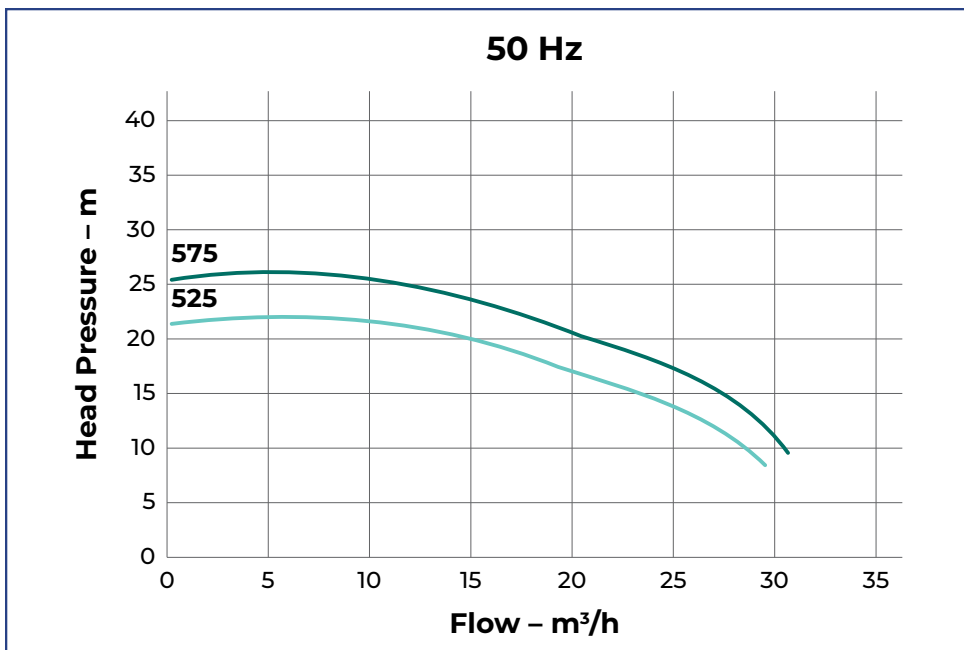
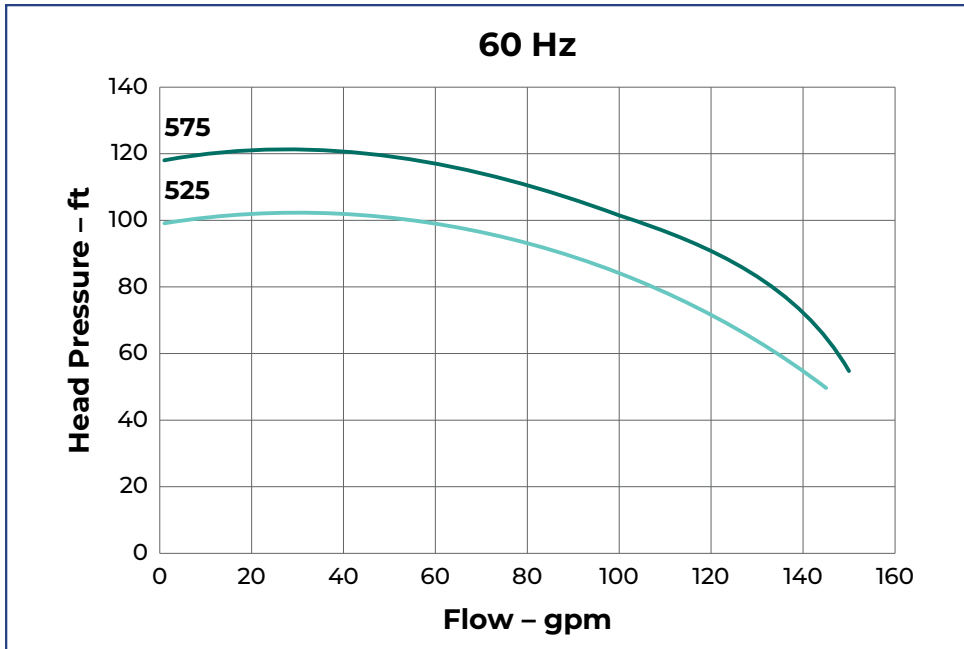


SB-137 SERIES

MODEL	INLET (FNPT)	OUTLET (MNPT)	VOLTAGE	PHASE	HP	AMPS
SB-137M-2373D-488-3T	2.0"	1.5"	230/460	3	3	7.2/3.66

NOTE: Electrical characteristics shown at 60 Hz. Motor derated at 50 Hz.

SERIES SB-150



TECHNICAL DATA

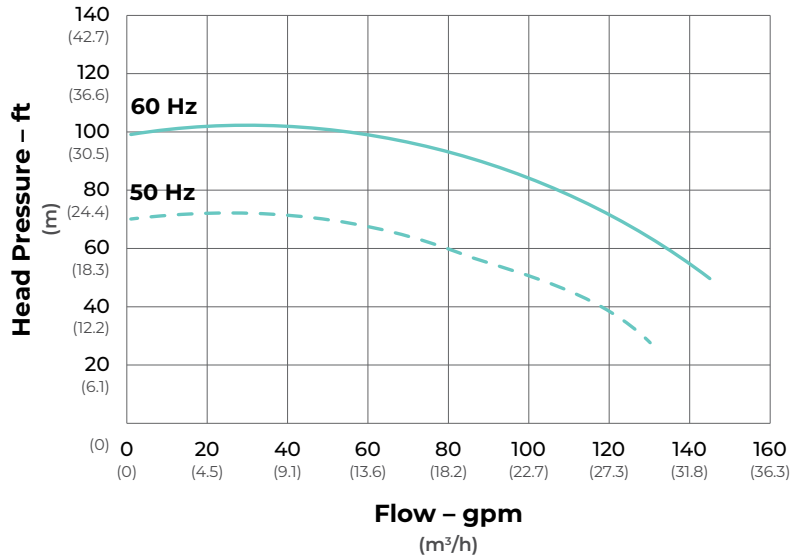
- 2" Inlet / 2" Outlet (NPT)
- 5 hp
- Max Flow: 150 gpm
- Max Head: 121 ft

SB-150M-2373D-525-5T

ElectroSea's SeaStrong Silver Bullet pump features a sealless magnetic drive to ensure reliable performance and unparalleled pump durability.

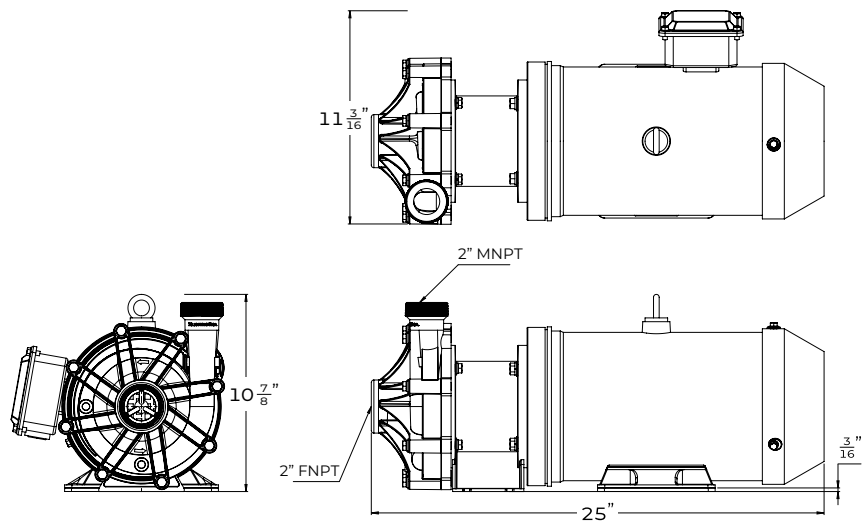
FEATURES

- Magnetic-drive, close-coupled design
- No shaft seals and 100% leak free
- Extended run-dry, ceramic shaft, ultra-low friction infused carbon graphite bushing
- Super-strong neodymium magnets
- Composite pump head and impeller with no metallic parts in fluid path
- CFD design with no low-flow areas
- 316L-reinforced molded inlet ring
- Rotatable pump head
- 316L stainless hardware
- IP55, stainless-steel washdown motor
- 50/60 Hz dual frequency



SPECIFICATIONS

Max Flow	145 gpm
Max Head	103 ft
Inlet	2" FNPT
Outlet	2" MNPT
Voltage	230/460 VAC
Phase	3
Horsepower	5
Current	11.0/5.5 amps
Frequency	50 or 60 Hz



SB-150 SERIES

MODEL	INLET (FNPT)	OUTLET (MNPT)	VOLTAGE	PHASE	HP	AMPS
SB-150M-2373D-525-5T	2.0"	2.0"	230/460	3	5	11.0/5.5

NOTE: Electrical characteristics shown at 60 Hz. Motor derated at 50 Hz.

SB-150M-2373D-575-5T

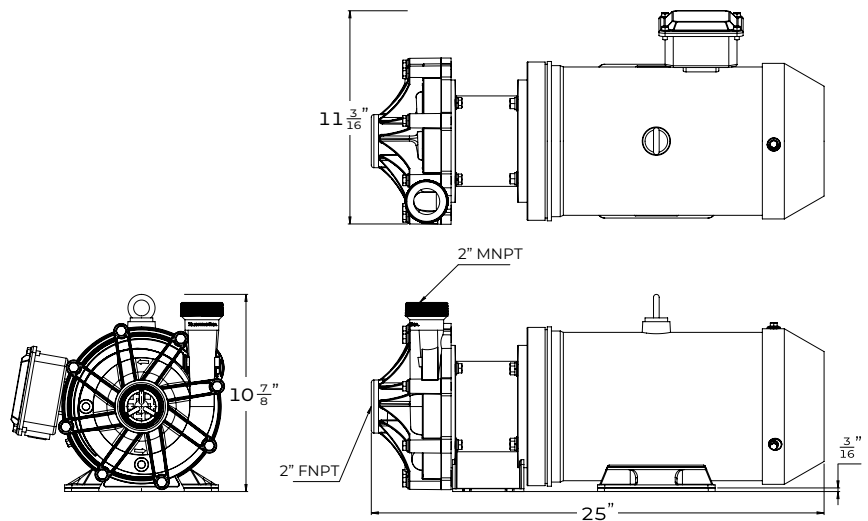
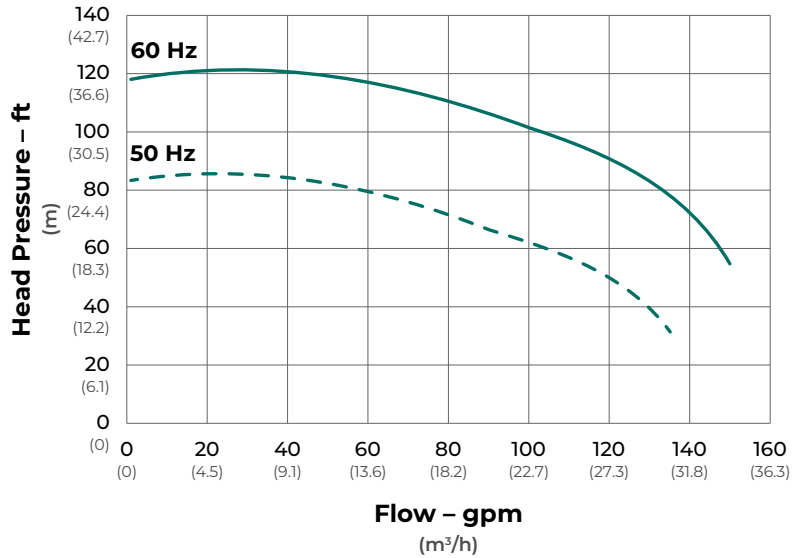
ElectroSea's SeaStrong Silver Bullet pump features a sealless magnetic drive to ensure reliable performance and unparalleled pump durability.

FEATURES

- Magnetic-drive, close-coupled design
- No shaft seals and 100% leak free
- Extended run-dry, ceramic shaft, ultra-low friction infused carbon graphite bushing
- Super-strong neodymium magnets
- Composite pump head and impeller with no metallic parts in fluid path
- CFD design with no low-flow areas
- 316L-reinforced molded inlet ring
- Rotatable pump head
- 316L stainless hardware
- IP55, stainless-steel washdown motor
- 50/60 Hz dual frequency

SPECIFICATIONS

Max Flow	150 gpm
Max Head	121 ft
Inlet	2" FNPT
Outlet	2" MNPT
Voltage	230/460 VAC
Phase	3
Horsepower	5
Current	11.0/5.5 amps
Frequency	50 or 60 Hz



SB-150 SERIES

MODEL	INLET (FNPT)	OUTLET (MNPT)	VOLTAGE	PHASE	HP	AMPS
SB-150M-2373D-575-5T	2.0"	2.0"	230/460	3	5	11.0/5.5

NOTE: Electrical characteristics shown at 60 Hz. Motor derated at 50 Hz.

SPARE PARTS GUIDE

	MODEL	WEAR KIT	IMPELLER KIT	WET END KIT	MOTOR KIT
SB-030 SERIES	SB-030M-1171-250-1/2T	200081-005	200082-001	200082-150	200082-300
	SB-030M-2371-250-1/2T	200081-005	200082-001	200082-150	200082-300
	SB-030M-1171-300-1/2T	200081-005	200082-002	200082-151	200082-300
	SB-030M-2371-300-1/2T	200081-005	200082-002	200082-151	200082-300
SB-045 SERIES	SB-045M-1171-340-1/2T	200081-005	200082-003	200082-152	200082-300
	SB-045M-2371-340-1/2T	200081-005	200082-003	200082-152	200082-300
	SB-045M-1171-362-1/2T	200081-005	200082-004	200082-153	200082-300
	SB-045M-2371-362-1/2T	200081-005	200082-004	200082-153	200082-300
	SB-045M-1171-390-1/2T	200081-005	200082-005	200082-154	200082-300
	SB-045M-2371-390-1/2T	200081-005	200082-005	200082-154	200082-300
SB-062 SERIES	SB-062M-1171-350-1/2T	200081-010	200082-006	200082-155	200082-300
	SB-062M-2371-350-1/2T	200081-010	200082-006	200082-155	200082-300
	SB-062M-1171-360-1/2T	200081-010	200082-007	200082-156	200082-300
	SB-062M-2371-360-1/2T	200081-010	200082-007	200082-156	200082-300
SB-075 SERIES	SB-075M-1171-338-1/2T	200081-015	200082-008	200082-157	200082-300
	SB-075M-2371-338-1/2T	200081-015	200082-008	200082-157	200082-300
SB-100 SERIES	SB-100M-1171D-350-1T	200081-015	200082-009	200082-158	200082-305
	SB-100M-1171D-375-1T	200081-015	200082-010	200082-159	200082-305
	SB-100M-1171D-400-1T	200081-015	200082-011	200082-160	200082-305
SB-137 SERIES	SB-137M-1171D-410-1 1/2T	200081-020	200082-012	200082-161	200082-310
	SB-137M-1171D-438-1 1/2T	200081-020	200082-013	200082-162	200082-310
	SB-137M-1171D-463-2T	200081-020	200082-014	200082-163	200082-315
	SB-137M-2373D-488-3T	200081-020	200082-015	200082-164	200082-320
SB-150 SERIES	SB-150M-2373D-525-5T	200081-025	200082-016	200082-165	200082-325
	SB-150M-2373D-575-5T	200081-025	200082-017	200082-166	200082-325

